

alber

**ENERGIZE YOUR
WHEELCHAIR**

twion[®]

Gebrauchsanweisung

de

User manual

en

Instructions d'utilisation

fr

Gebruiksaanwijzing

nl

Manual de instrucciones

es

Istruzioni per l'uso

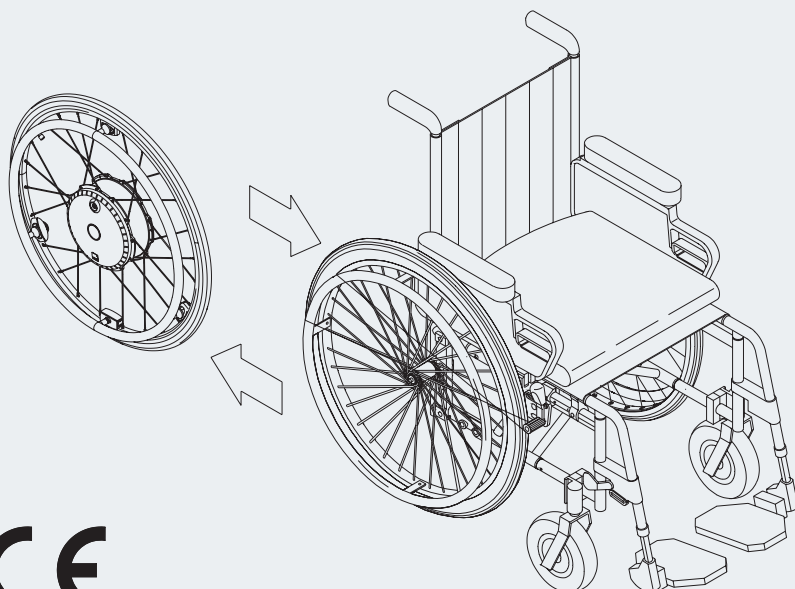
it

Brugsvejledning

dk

Instruktionsbok

se



CE

Service Center (Deutschland)

Montag bis Donnerstag von

8.00 - 18.00 Uhr

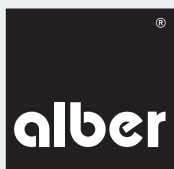
Freitags von

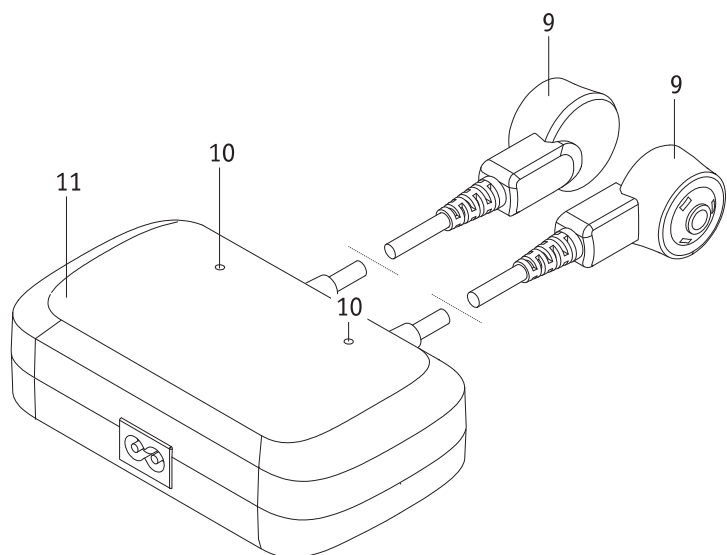
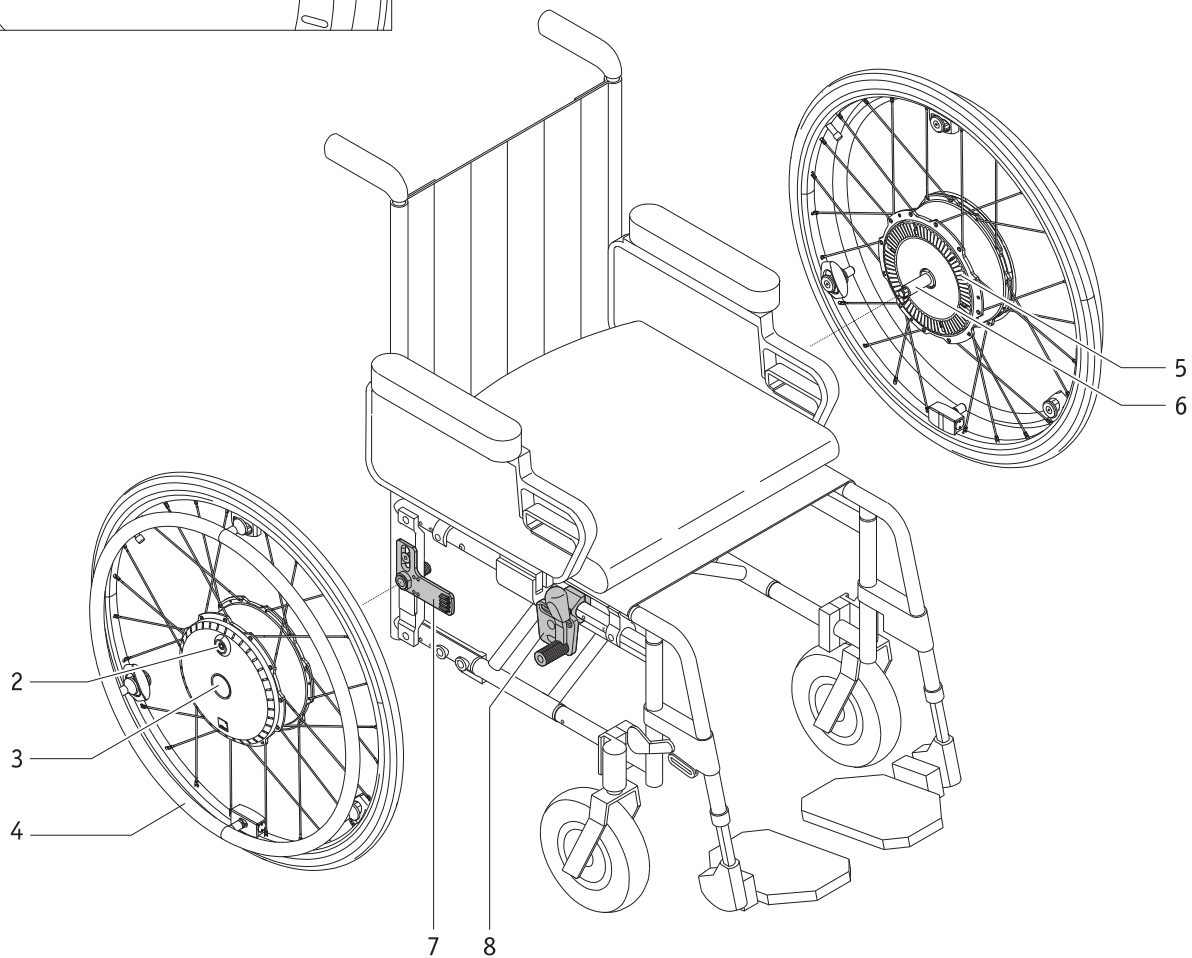
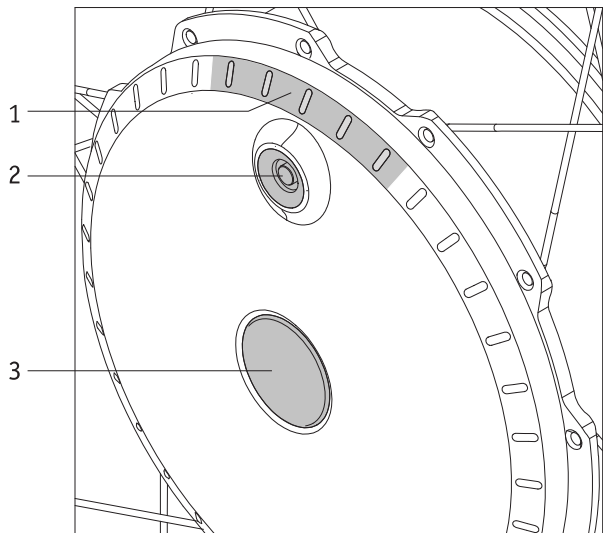
8.00 - 16.00 Uhr

erreichbar unter

Telefon (0800) 9096-250

(gebührenfrei)





USA and CANADA only

⚠ CAUTION Federal law restricts this device to sale by or on the order of a practitioner licensed by the law of the State in which he/she practices.

Powered Wheelchair Electromagnetic Interferences (EMI)

Because EM energy rapidly becomes more intense as one moves closer to the transmitting antenna (source), the EM fields from hand-held radio wave sources (transceivers) are of special concern. It is possible to unintentionally bring high levels of EM energy very close to the powered wheelchair's control system while using these devices. This can affect powered wheelchair movement and braking. Therefore, the warnings listed below are recommended to prevent possible interference with the control system of the powered wheelchair.

⚠ WARNING Radio wave sources may affect powered wheelchair control

Electromagnetic interference (EMI) from sources such as radio and TV stations, amateur radio (HAM) transmitters, two-way radios, and cellular phones can affect powered wheelchairs and motorized scooters. Following the warnings listed below should reduce the chance of unintended brake release or powered wheelchair movement which could result in serious injury.

- 1) Do not operate hand-held transceivers (transmitters-receivers), such as citizens band (CB) radios, or turn ON personal communication devices, such as cellular phones, while the powered wheelchair is turned ON;
- 2) Be aware of nearby transmitters, such as radio or TV stations, and try to avoid coming close to them;
- 3) If unintended movement or brake release occurs, turn the powered wheelchair OFF as soon as it is safe;
- 4) Be aware that adding accessories or components, or modifying the powered wheelchair, may make it more susceptible to interference from radio wave sources.
(Note: There is no easy way to evaluate their effect on the overall immunity of the powered wheelchair); and
- 5) Report all incidents of unintended movement or brake release to the powered wheelchair manufacturer, and note whether there is a radio wave source nearby.

Important Information

20 volts per meter (V/m) is a generally achievable and useful immunity level against EMI (as of May 1994) (the higher the level, the greater the protection). All power-drives have an immunity level of 20 V/m.

⚠ CAUTION IT IS VERY IMPORTANT THAT YOU READ THIS INFORMATION REGARDING THE POSSIBLE EFFECTS OF ELECTRO-MAGNETIC INTERFERENCE ON YOUR POWERED WHEELCHAIR.

Electromagnetic Interference (EMI) From Radio Wave Sources

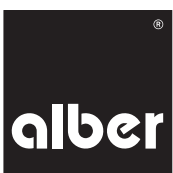
Powered wheelchairs and motorized scooters (in this text, both will be referred to as powered wheelchairs) may be susceptible to electromagnetic interference (EMI), which is interfering electromagnetic energy (EM) emitted from sources such as radio stations, TV stations, amateur radio (HAM) transmitters, two-way radios, and cellular phones. The interference (from radio wave sources) can cause the powered wheelchair to release its brakes, move by itself, or move in unintended directions. It can also permanently damage the powered wheelchair's control system. The intensity of the interfering EM energy can be measured in volts per meter (V/m). Each powered wheelchair can resist EMI up to a certain intensity. This is called its "immunity level". The higher the immunity level, the greater the protection.

There are a number of sources of relatively intense electromagnetic fields in the everyday environment. Some of these sources are obvious and easy to avoid. Others are not apparent and exposure is unavoidable. However, we believe that by following the warnings listed below, your risk to EMI will be minimized. The sources of radiated EMI can be broadly classified into three types:

- 1) Hand-held portable transceivers (transmitters-receivers) with the antenna, mounted directly on the transmitting unit. Examples include: citizens band (CB) radios, "walkie talkie", security, fire and police transceivers, cellular telephones, and other personal communication devices.
Note: Some cellular telephones and similar devices transmit signals while they are ON, even when not being used;
- 2) Medium-range mobile transceivers, such as those used in police cars, fire trucks, ambulances, and taxis. These usually have the antenna mounted on the outside of the vehicle; and
- 3) Long-range transmitters and transceivers, such as commercial broadcast transmitters (radio and TV broadcast antenna towers) and amateur (HAM) radios.

Note: Other types of hand-held devices, such as cordless phones, laptop computers, AM/FM radios, TV sets, CD players, and cassette players, and small appliances, such as electric shavers and hair dryers, so far as we know, are not likely to cause EMI problems to your powered wheelchair.

Table of Contents	
1. Introduction	2
1.1 Important safety notes – please observe carefully at all times	2
1.2 Indications for Use (IFU)	2
1.3 Signs and symbols	2
1.4 Permissible conditions of use/locations of operation	3
1.5 Standard scope of delivery	4
1.6 The main elements at a glance	4
2. Starting up	5
2.1 Installing the wheels	6
2.2 Switching on the wheels at the wheel hub	7
2.3 Switching the wheels off	7
2.4 Removing the wheels	8
2.5 Transporting and storing the wheels as vehicle luggage	9
3. Safety instructions and hazard information on driving with the twion	10
3.1 General information	10
3.2 Safety instructions	11
3.3 Obstacles	12
3.4 Danger areas and hazardous situations	12
4. Battery (in-built in the wheels)	13
4.1 Safety instructions for the batteries installed in the twion wheels	13
4.2 Storing the wheels	13
4.3 General information on charging the batteries	13
4.4 Safety instructions for the battery charger and the charging process	14
4.5 Charging process	15
5. Displays and fault indications on the wheel	16
5.1 The charge status of the battery	16
5.2 Displays when charging the battery	17
5.3 Fault indications	18
5.3.1 Fault indication of the battery	18
5.3.2 Fault indications when charging the batteries	18
5.3.3 Fault indication of the push rims	18
5.3.4 Fault indication in the event of excessive temperatures	19
5.3.5 General faults	19
6. Automatic shut-down	19
7. Replacing the fuse	19
8. Important information about changing seats	20
9. Care, safety inspections (maintenance) and disposal	21
9.1 Care	21
9.2 Re-use	21
9.3 Maintenance (safety inspections)	21
9.4 Disposal	21
10. Storage	22
11. Product safety information	22
12. Estimated service life	22
13. Warranty, guarantee and liability	22
13.1 Warranty for defects	22
13.2 Guarantee of durability	22
13.3 Liability	22
14. Technical data	23
15. Information about the charger	25
16. Labels and explanation of symbols	26



1. Introduction

1.1 Important safety notes – please observe carefully at all times

The twion is an add-on drive for wheelchairs. For safety reasons, it must only be operated by persons who

- have been instructed in its handling,
- can move and coordinate both hands or arms without major restrictions,
- have the physical and mental ability to safely operate the wheelchair with the twion wheels attached to it in all possible situations and in the event of the twion wheels failing to work, the user is able to brake the wheelchair and stop safely.

A one-to-one instruction session on handling and operating the device is included in the scope of delivery. Please contact your specialist dealer or Alber GmbH agent to arrange for a training session. The instruction is free of charge.

If you feel a little unsure about how to handle your twion please contact your specialist dealer for advice.

In the event of technical faults, please contact your specialist dealer or the Alber Service Center (Tel: 0800 9096 250).

When operating the twion, observe the specifications of the wheelchair manufacturer (e.g. maximum slope, air pressure of tyres, the highest speed etc.), and strictly adhere to the operating instructions of the wheelchair. Never exceed any of the specified limit values.

We recommend refraining from using the twion in locations that are exposed to strong electric fields.

In rare cases, the operation of the twion may interfere with other electrical devices such as anti-shoplifting barriers in department stores.

You must not use the twion on escalators or moving walkways.

The twion wheels have to be switched off while doing sports in the wheelchair, for example weightlifting or something similar.

Combining the twion with accessories that have not been approved by Alber is also prohibited.

2



Therefore, do not start using the twion before you have been properly instructed in its operation by an authorised specialist dealer or an agent of Alber GmbH.



When applying a force to the push rim the twion power wheels support driving and braking. The necessary force on the push rim is significantly reduced in comparison to a manual wheelchair.

1.2 Indications for Use (IFU)

The twion is a Power Assist Wheelchair Conversion Kit and suitable for the manual wheelchair users who are limited in their field of activities because of their physical conditions. The device can expand their field of activities by assisting their wheelchair operating force.

Do not attach any parts other than the accessories that have been approved for use by Alber. Equally, the device must not be technically modified.

The twion must only be operated under the following conditions:

- Full compliance with the information, instructions and recommendations contained in this operating manual
- The device is only operated by a person who has been instructed in its use
- No technical modifications have been made to the device by the user or by any third party

An instructed person is a person who has been instructed in the operation of the twion and in his/her tasks and who has been made aware of the possible hazards associated with improper use of the device. In general, this is the user of the wheelchair to which the twion wheels have been fitted. The instruction session is provided by the authorised specialist dealer or by an agent of Alber GmbH. It is strictly prohibited for any uninstructed or unqualified persons to use the twion.

The twion must not be used for any purpose that contravenes the intended use of the device. This particularly applies to all types of load transports such as the transporting of household objects or additional people. Proper use includes complying with the information specified in this manual on carrying out safety checks and observing and adhering to the safety precautions and hazard warnings for driving.

The use of the twion for any of the following purposes is deemed to be misuse by Alber GmbH:

- Use or operation of the device that contravenes the instructions and recommendations in this operating manual.
- Exceeding the technical limits laid down in this operating manual.
- Technical modifications to the device.
- Attachment and/or use of parts and accessories that have not been supplied or approved by Alber GmbH.

Damage resulting from

- using the device improperly,
- use by a person who has not been instructed in the handling of the device
- use that contravenes the instructions and recommendations in this operating manual
- exceeding the technical limits laid down in this operating manual

shall not be deemed by Alber GmbH as part of the company's liability.



Before using the twion, carefully read all safety and hazard information contained in the individual chapters of this operating manual.

1.3 Signs and symbols

Important tips and information are identified in this operating manual as follows:



Indicates tips and special information.



Warning against possible hazards to your safety and health, and indication of possible injury risks. Warning against possible technical problems or damage.

Observe these indications and warnings at all times to avoid injury to people and damage to the product.

1.4 Permissible conditions of use/locations of operation

- Observe the permissible conditions of use of the wheelchair to which the twion wheels are attached (see wheelchair manual).
- In addition to observing the information provided on the twion it is also imperative to observe the information provided by the wheelchair manufacturer (e.g. maximum climbing capacity, maximum permissible height of obstacles, maximum user weight, maximum speed etc.). The lowest values always apply.
- The twion must only be used at temperatures between -25°C and $+50^{\circ}\text{C}$. Therefore, do not expose the twion to any heat sources (such as intense sunlight) as this may cause surfaces to reach high temperatures.
- Avoid using the wheelchair on soft ground (e.g. loose chipping, sand, mud, snow, ice or deep puddles).
- Always observe the safety instructions and precautions from chapter 3.



Never drive without anti-tippers and only remove these to drive over major obstacles. It is left to the judgement of the driver whether to call an attendant for help when there is an increased risk that the wheelchair may topple over.



The risk of accidents and injuries is increased by rides without an installed pair of anti-tippers. Alber GmbH refuses to take over any liability for accidents caused by not using a pair of anti-tippers.



It is prohibited to drive so-called "wheelies" (taken-off anti-tippers from the wheelchair, twion wheels on the floor, front wheels (castors) of the wheelchair hovering in the air). The Alber GmbH refuses to take over any liability for accidents caused by this kind of driving.



When not in use, do not expose your twion to strong sunlight for long periods of time. This could cause the motor to heat up and in an extreme case, not be able to operate at full power. Even plastic parts age quicker under intense sunlight.

1.5 Standard scope of delivery

- Two twion wheels
- A battery charger
- Operating manual

The wheelchair must have special brackets to attach the twion wheels. If it does not, please contact your specialist dealer or an Alber representative.

1.6 The main elements at a glance

(please fold out overview drawing in document cover)

Wheel

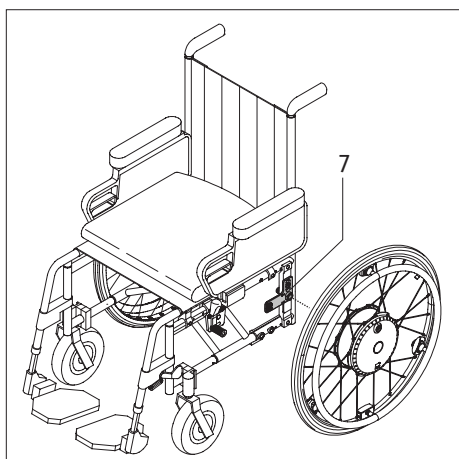
LED displays	1
On/off switch with charger socket	2
Stub axle locking mechanism	3
Push rims	4
Fins (rear of wheel)	5
Stub axle	6

Wheelchair (not included in the scope of delivery)

Bracket with wheel receiver	7
Wheelchair hand brake	8

Automatic charger

Charging plug	9
LED display	10
Automatic charger housing	11



2. Starting up

The twion wheels and any accessories you ordered will be fitted to your wheelchair by Alber or your specialist dealer and delivered so that they are ready for operation. Therefore, on both sides of your wheelchair there are new brackets [7] with wheel receivers for the two twion wheels to be inserted (see chapter 2.1). Please keep the manual wheelchair wheels you have used until now so that they can be used again if needed.

On delivery of your twion your specialist dealer will show you how to operate the system and any accessories you ordered. You will also be given this operating manual which, in addition to the technical information, also contains important driving instructions.



The brackets [7] must be attached to the wheelchair by Alber GmbH or its authorised specialist dealers.



Regularly check the brackets [7] to ensure that they are firmly secured to the wheelchair. If a screw connection has become loose, contact your authorised specialist dealer to have it retightened.



Alber GmbH provides brackets of various design (single-part or multiple-part brackets). The bracket shown in the diagrams of this operating manual may, therefore, deviate from that attached to your wheelchair.

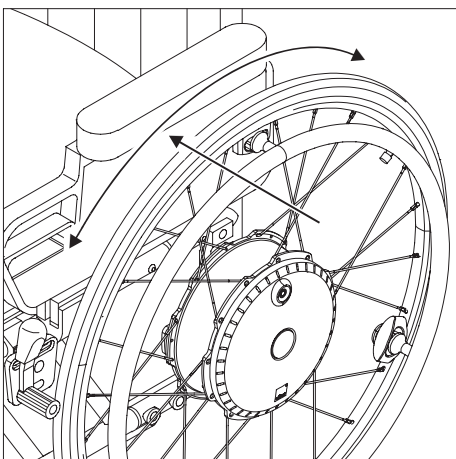
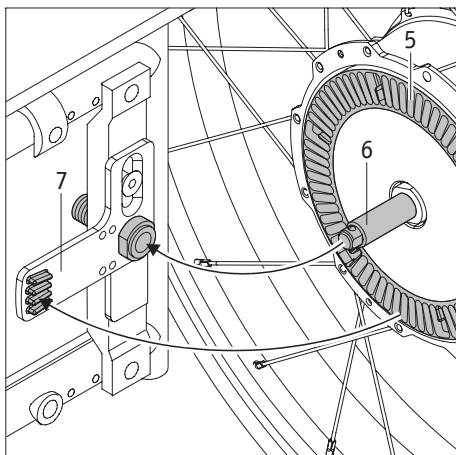
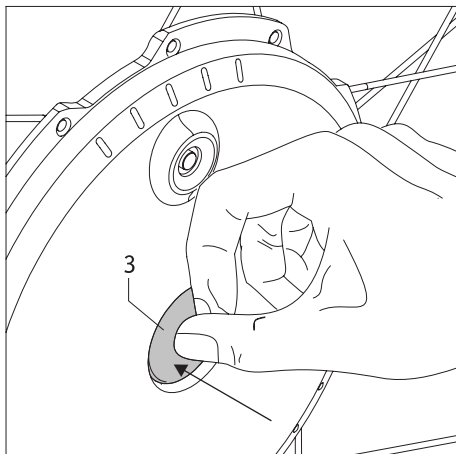


Your wheelchair brakes are adjusted to the two twion wheels. If the wheelchair is operated with manual wheels, the brakes may need to be readjusted to these wheels.



Speed limitation in neutral gear (without motor assistance)

When operating the twion wheels in neutral, a speed of 10 km/h can be reached without any problems. The electronics and the mechanics will not become damaged as a result as they are engineered for this load case. At higher speeds (e.g. travelling downhill in neutral, used of hand bikes, in particular with motor assistance or electric motor traction devices) much higher speeds can be reached for which no tests are required by the standard guidelines. The standards only stipulate that the additional drive has to be inspected up to its maximum motor-assisted speed for the relevant load cases. However, some wheelchair manufacturers limit the maximum permitted speed to values below 10 km/h. In any case, the speed limitation as stipulated by the wheelchair manufacturer must be adhered to if it is specified in the instructions for use for the wheelchair. For your own safety we recommend that you do not exceed the specified maximum speed of the additional drive or wheelchair (whichever is the lowest value) during daily use. We assume no liability for any damage which results from operation at speeds higher than the stipulated highest speed.



2.1 Installing the wheels

From a technical point of view, the stub axles [6] of the twion wheels are similar to the stub axles of your usual manual wheelchair wheels. In this respect you can attach the twion wheels to your wheelchair in the usual way.

- Switch off the twion wheels before attaching them to the wheelchair (see chapter 2.3).
- Press the locking mechanism [3] at the centre of the wheel hub and at the same time push the stub axle [6] of the twion wheel into the wheel receiver [7] on the wheelchair.
- You might need to rotate the twion wheel a few millimetres around its axle so that the fins [5] located on the rear of the wheel click into place in the wheel receiver [7].
- Check whether the twion wheel can be pulled out of the wheel receiver [7] without pressing the locking mechanism [3]. If so, the twion wheel is not sitting correctly in the wheel receiver [7] and needs to be inserted again as described previously.
- Attach the second twion wheel on the other side of the wheelchair.

In these few steps, you have attached the twion wheels to your wheelchair.



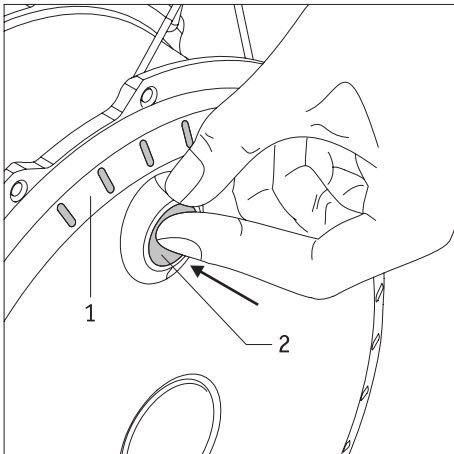
The twion wheels must be switched off before attaching them to the wheelchair.



Driving is only permitted with twion wheels that are correctly engaged in the wheel receiver [7].



Before every trip, check that your wheelchair brakes [8] are working correctly. These need to be correctly adjusted to the twion wheels and be able to prevent the wheelchair inadvertently rolling away at any time.



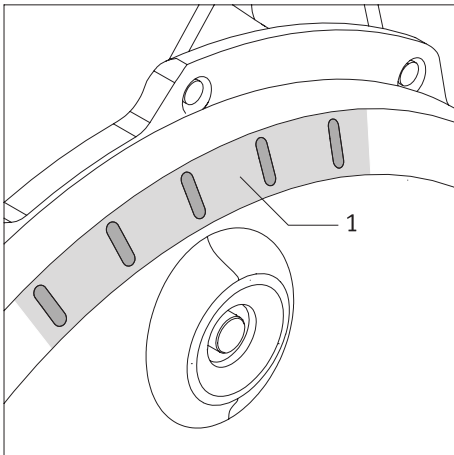
2.2 Switching on the wheels at the wheel hub

If the two twion wheels have been correctly attached to your wheelchair as described in chapter 2.1, you can now switch on the system.

- Press the on/off button [2] on the wheel hub for about one second until you feel the limit.
- To confirm activation, an acoustic signal (1 beep) sounds on each wheel.
- All five LEDs [1] briefly illuminate and then convert to display status to show the battery's charge status (see chapter 5.1).
- After about 2 to 3 seconds, the wheel is ready for use and you can begin your journey. Please observe the information from chapter 3.

Note

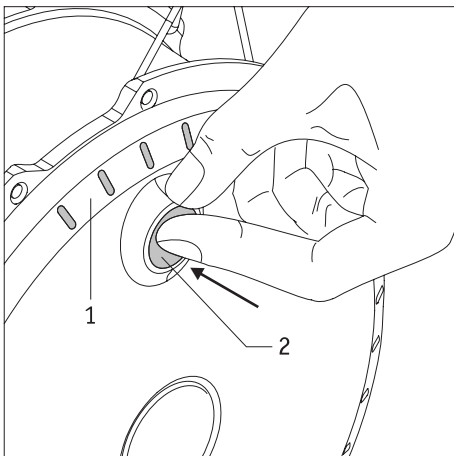
If the switched-on wheels are not used, they will automatically switch off after 15 minutes (see chapter 6 for more information).



If a fault occurs when switching on the wheels, this is shown by the LED display [1] and acoustic signals (see also chapter 5.3.2).



The two twion wheels are switched on one after the other, not at the same time. If they are activated at the same time, any warning signals (see chapter 5.3) may not be heard or assigned to the wrong wheel in error.



2.3 Switching the wheels off

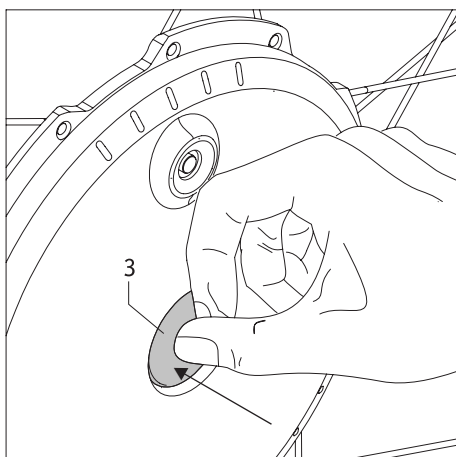
When you have finished your journey, the two twion wheels should always be switched off and the parking brakes on the wheelchair used. This not only saves the energy of the two batteries but also prevents your wheelchair potentially rolling away inadvertently.

- Press the on/off button [2] on the wheel hub for about one second until you feel the limit.
- To confirm deactivation, an acoustic signal (1 beep) sounds on each wheel.
- The LED display [1] of the wheels goes out.
- Secure your wheelchair against inadvertently rolling away by activating the wheelchair brakes.



The twion wheels do not have any in-built brakes. It is therefore imperative to adjust the brakes fitted to your wheelchair to the twion wheels, to be able to secure your wheelchair from inadvertently rolling away.

Please contact your specialist dealer in this regard.



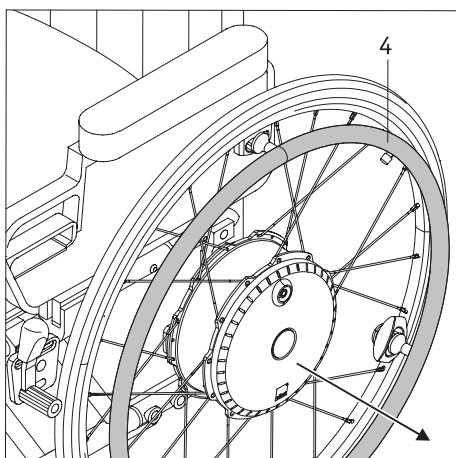
2.4 Removing the wheels

Generally, the twion wheels will remain on your wheelchair. If they need to be removed (for example, for transport purposes), please proceed as follows:

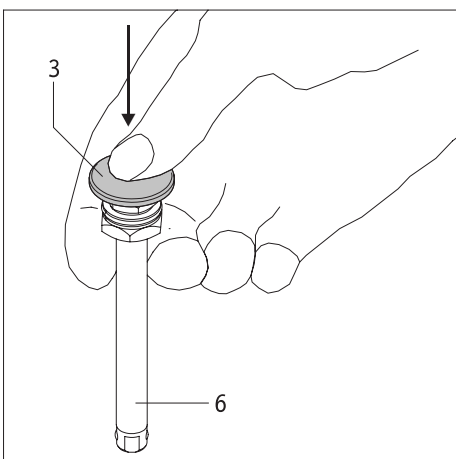
- Switch the twion wheels off if you have not already done so (see chapter 2.3).
- Lift your wheelchair by its push handles.
- Press the locking mechanism [3] located at the centre of the wheel hub and carefully pull the twion wheel off of the wheelchair.



When removing a twion wheel never pull on its push rim [4]. This could damage the fitted sensors. Instead, hold the twion wheel by its tyre or the wheel hub when removing.



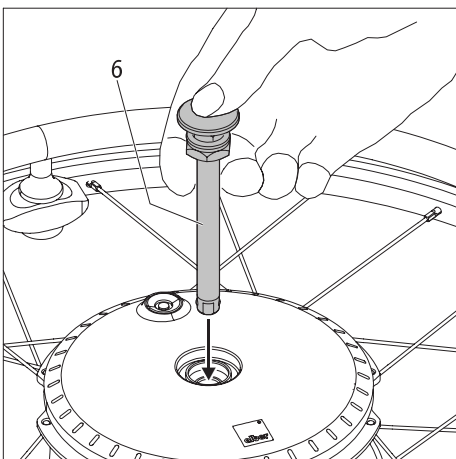
If the wheels are transported by air, they are not allowed to be switched on.



Detaching the stub axle (if necessary)

If the twion wheels are stored laying on their rear side, the stub axles [6] protrude above the wheel hub by a few centimetres. We therefore recommend taking the stub axles out of the wheel entirely, to prevent any possible damage.

- Hold the stub axle [6] between your index and middle finger as shown in the diagram, and press the locking mechanism [3] with your thumb.
- Pull the stub axle [6] out of the wheel hub and put it down.



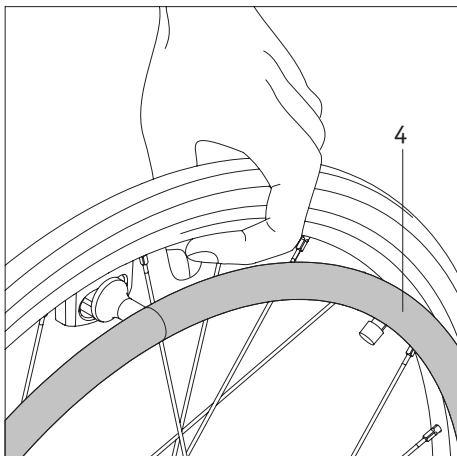
Inserting the stub axle

If the stub axles have been taken out of the wheel as described above, they need to be reinserted in the wheel hubs before you next attach wheels to your wheelchair.

- Hold the stub axle [6] between your index and middle finger as shown in the diagram, and press the locking mechanism [3] with your thumb.
- Insert the stub axle [6] into the wheel hub.

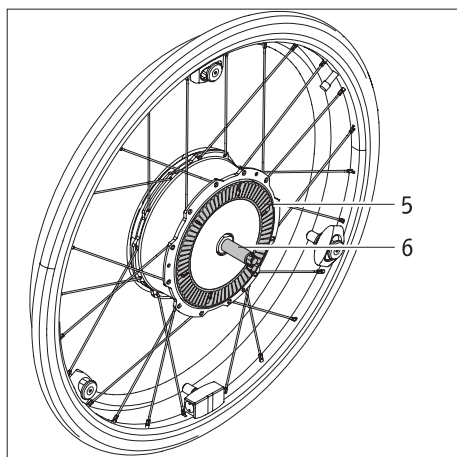


Only insert the supplied stub axles into the twion wheels. Do not use the stub axles of the manual wheelchair wheels because when used with the twion wheels these do not have the necessary length to ensure a secure fit in the brackets [7].

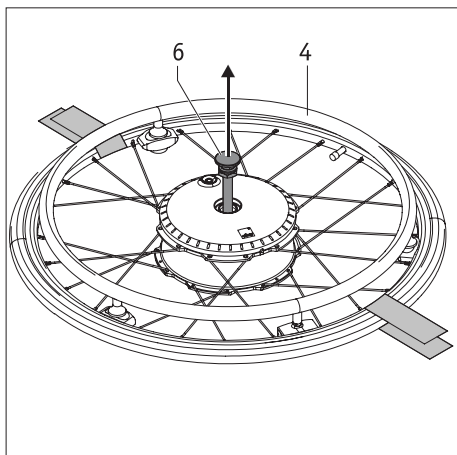


2.5 Transporting and storing the wheels as vehicle luggage

- The twion wheels must be switched off before removing them from the wheelchair.
- If the twion wheels are taken off of the wheelchair, they must **not** be lifted or carried by the push rims [4]. This could damage the fitted sensors. Instead, carry the twion wheel by its rim. At this point there is no danger of damaging the wheel.
- When laying the wheel down or setting it aside, take care of the fins [5] and the stub axle [6] on the rear of the wheel. Neither part should be damaged.
- To transport the wheelchair, follow the instructions of the wheelchair manufacturer. You might need to secure the wheelchair or certain components.
- We recommend always removing the twion wheels from the wheelchair and transporting them individually. In doing so, the stub axle [6] should be removed entirely from the wheels.
- The wheels should be stored or transported on their rear side or standing up.
- During transport, the wheels must be properly secured so that they do not pose a risk to the driver or passengers in the event of a sudden brake manoeuvre. To secure the wheels we recommend securing them in the vehicle with sufficiently robust straps as shown in the diagram. Please note that this is a non-binding recommendation (we accept no liability).



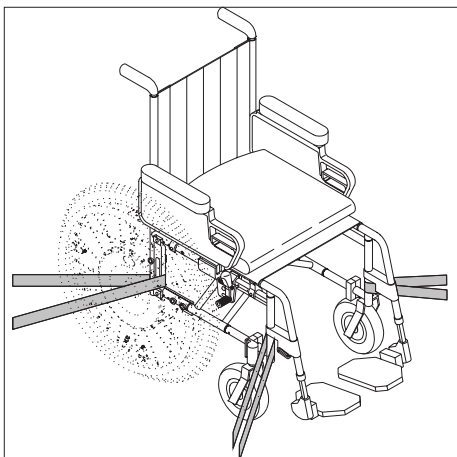
Do not attach the straps to the push rims [4] because this could damage their sensors.

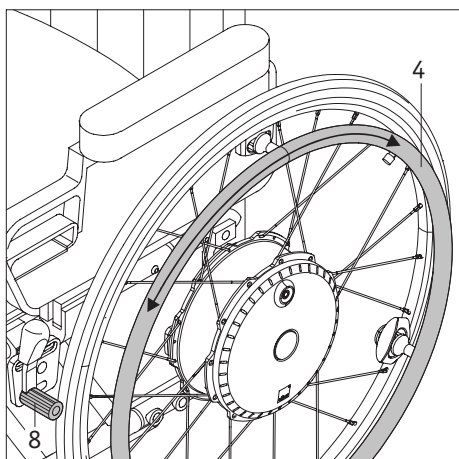


- Please check whether there are specific regulations regarding the securing of wheelchairs and wheels for transport in your jurisdiction and strictly adhere to these regulations.
- Alber GmbH and its agents shall not be liable for any damage resulting from non-compliance with these instructions.
- If you wish to transport your wheelchair in its entirety, without dismantling the wheels, the wheelchair must be protected in accordance with the guidelines or specifications of the wheelchair manufacturer. The adjacent diagram is just an example.



The use of the wheelchair with attached twion wheels as a vehicle seat is not permitted.





3. Safety instructions and hazard information on driving with the twion

3.1 General information

Using the twion wheels is much the same as using the manual wheels you have been using. This means that you can move your wheelchair as normal with the push rims [4]. While the twion is switched on, each actuation of the push rims is converted into a drive command. The twion thereby supports both forwards and reverse movement and when accelerating and braking.

It is therefore recommended that you have a short driver training session when you first receive your twion. This enables you to become familiar with the drive and all its possibilities.

The twion wheels could also be used as manual push rim wheels when switched off. Only the additional weight of the wheels needs to be considered when starting off and braking.

Check that the hand brake [8] of your wheelchair has been **adjusted to the twion wheels** and therefore inadvertent rolling away is prevented. If this is not the case, please contact your Alber authorised specialist dealer and have the brakes readjusted.

Information on driving training

- Start your first driving attempts with caution and start your driving training on level ground.
- Take your driver training in areas without obstacles.
- Before using the twion to drive up or down a slope, practice operating the device on level ground.
- Always adapt your speed to external conditions to be able, for example, to drive around any obstacles that suddenly appear or to stop your wheelchair.
- Always drive up slopes with a fully charged battery.
If the battery is empty the wheels will continue to work, however, the rolling motion and especially the braking process is no longer supported!
- When travelling down slopes of any kind, special caution should be exercised.
If driving down slopes with a fully charged battery and at high speed, this can lead to the twion being forced to shut down due to over-voltage. The wheels continue to work but there is no longer any power support for braking.
Therefore, drive down slopes at slow speed. This is advisable in any case to avoid any obstacles that suddenly appear or to stop the wheelchair.
- Observe the information, safety instructions and hazard information of your wheelchair manufacturer. This also applies to driving with the twion.



Exercise caution when travelling downhill with a fully charged battery.

A fully charged battery and high speeds may lead to the system automatically switching off. Therefore, reduce your speed.



As far as possible, negotiate obstacles (e.g. kerbs) in reverse. The maximum permitted obstacle height is 50 mm. Drive slowly and carefully in reverse until the wheels of your twion touch the obstacle. Now carefully negotiate the obstacle. It is up to you to decide whether to enlist the help of another person.



Observe the following safety instructions and hazard information.



Immediately contact your specialist dealer in the event of a breakdown.

3.2 Safety instructions

- The twion wheels must be switched off before being attached to the wheelchair, when removing them from the wheelchair and before starting work on the wheelchair or directly on the wheels.
- For safety reasons you need to activate the parking brakes of your wheelchair, especially on uphill and downhill slopes, to avoid the wheelchair inadvertently rolling away.
- In the (unlikely) event of the battery overheating or catching on fire, you must ensure that the battery does not come into contact with water or other liquids. The only suitable extinguishing agent that is recommended by the battery manufacturers is sand.

Before using the device:

- The twion must only be attached to push rim wheelchairs that have been approved by Alber GmbH for this device.
- The bracket holding the twion in place may only be installed and modified by Alber GmbH or an Alber authorised specialist dealer.
- When using the twion, always strictly adhere to the operating instructions of the wheelchair.
- Driving the wheelchair without an attached pair of anti-tippers is not permitted.
- Attach a pair of anti-tippers to your wheelchair.
- Before every journey, check the twion wheels. If the tyres have reached their wear limit (you can no longer see the tread), the twion must not be used.
- Before every journey, check that your wheelchair parking brakes are working correctly. You cannot drive the wheelchair without your parking brakes working correctly.
- Check the air pressure of the twion wheels at regular intervals. For details on the correct air pressure, see the outside of the tyres and the table in chapter 11. Please check the air pressure of the front wheels in accordance with the instructions and specifications of the wheelchair manufacturer. Too low an air pressure can greatly affect the driving behaviour and the range.
- Both twion wheels should always have the same air pressure.
- Both front wheels of the wheelchair should always have the same air pressure.
- Before every journey, check the correct fitting of the twion wheels in the two wheel receivers of your wheelchair.
- The twion must not be used in combination with a wheelchair puller or hand bike. Even if the twion drives are switched off, there is a risk of the electronic system sustaining damage from the current induced by the fast rotation of the wheel.

When using the twion, observe the following:

- Before using the twion to drive up or down a slope, practice operating the device on level ground.
- The maximum permissible slope specified by the wheelchair manufacturer must not be exceeded.
- Approach steps or drops extremely cautiously.
- While the twion is switched on, each actuation of the push rims is converted into a drive command. When stopping or waiting in potentially dangerous positions (e.g. while waiting at a traffic light, on uphill and downhill slopes or ramps of any type), do not touch the push rims and secure your wheelchair using its parking brakes.
- Never reach into the wheel when the twion is switched on.
- Do not insert or throw objects of any kind into a switched on or off twion wheel.
- Never attach objects of any kind to the push rims. These could induce involuntary drive impulses.
- When driving on pavements, keep a safe distance (preferably the width of the wheelchair) from the kerb.
- Avoid using the wheelchair on soft ground (e.g. loose chipping, sand, mud, snow, ice or deep puddles).
- Never leave the twion unattended, even if it is switched off.
- The twion may be adversely affected by strong electromagnetic fields, particularly in the vicinity of the push rim sensor.
- Conversely, the twion may interfere with other electrical equipment such as anti-shoplifting barriers in department stores.
- You must not use the twion on escalators or moving walkways.
- When travelling, do not suddenly change the direction of travel to left or right at maximum speed as this could cause the wheelchair to tip sideways.
- Reduce your speed when going round a corner.
- If you intend to stop in your wheelchair on an uphill or downhill slope, your wheelchair must be parked across this slope and the parking brakes activated.
- After every trip or when your wheelchair is idle, activate the parking brakes to prevent the chair inadvertently rolling away.
- Do not travel across downhill slopes.
- Do not reach into the spokes of the twion wheels when travelling, or into the front wheels of your wheelchair.
- Apply your twion brake carefully and adapt your speed accordingly (i.e. not suddenly).
- When travelling in a vehicle, only sit in the vehicle's installed seats with associated restraint systems. Not complying with this guideline runs the risk of you and your co-passengers being injured in an accident.
- When travelling by vehicle, secure your wheelchair and the twion wheels according to the current applicable statutory requirements and legislation.
- When travelling on public roads and pavements in the Federal Republic of Germany, the provisions of the German Road Traffic Regulations and the Road Traffic Licensing Regulation must be observed. In other countries, the national provisions applicable there must be observed.

- The twion is only intended for transporting persons with restricted mobility and must not be misused, for example by children playing with it or to transport goods.
- Operating the twion in the vicinity of strong magnet fields such as those induced by holding solenoids, transformers, tomographs etc. is prohibited.
- Avoid travelling using the twion in adverse conditions, for example in storms, hail and in high undergrowth.



Never drive without anti-tippers and only remove these to drive over major obstacles. It is left to the judgement of the driver whether to call an attendant for help when there is an increased risk that the wheelchair may topple over.



The risk of accidents and injuries is increased by rides without an installed pair of anti-tippers. Alber GmbH refuses to take over any liability for accidents caused by not using a pair of anti-tippers.

After using the twion, observe the following:

- When not in use, the twion must be switched off to prevent inadvertently triggering of drive pulses when the push rims are touched and to prevent the battery from discharging completely.
- Whenever the wheelchair is idle, activate the parking brakes.
- Recharge the battery of your twion as soon as possible after each trip.

3.3 Obstacles

As far as possible, only negotiate obstacles (e.g. kerbs) in reverse. The maximum permitted obstacle height is 50 mm.

Drive slowly and carefully in reverse until the twion wheels touch the obstacle. Now carefully negotiate the obstacle. It is up to you to decide whether to enlist the help of another person.

3.4 Danger areas and hazardous situations

- The wheelchair driver must decide in each case whether it is safe to use the twion for the intended trip based on factors such as driving experience and physical strength.
- Before undertaking a trip, check the twion wheels for damage and proper inflation. Also, check the charge status of the two batteries and that the visual and acoustic signalling devices on the wheel are working correctly.
- These safety checks and the personal experience of the wheelchair user are of particular importance in or near the following danger areas, the navigation of which is left to the judgement and risk of the twion driver:
 - Quay walls, berths and marinas, paths and areas near water, bridges and dykes without railings.
 - Narrow footpaths, steep slopes (e.g. ramps and driveways), narrow paths along slopes, mountain paths.
 - Narrow and/or steep/inclined paths along main and side roads or near precipices.
 - Paths covered with leaves, snow or ice.
 - Ramps and lifting platforms of vehicles.



When driving along bends, turning the wheelchair or driving uphill or downhill, the centre of gravity of the wheelchair may be shifted so that there is a risk that the wheelchair may tip over to the side. Therefore, proceed with extreme caution and reduce the speed of the add-on drive.



Special caution is required when crossing roads and at crossroads and level railway crossings. Never cross rail tracks in roads or at level crossings by driving parallel to them as the wheels could get stuck in the rails.



Proceed with special caution when driving over ramps or lifting platforms of vehicles. Before lifting or lowering the wheelchair on the ramp or lifting platform, switch off the twion. Also apply the wheelchair parking brakes. This prevents inadvertent movement or drive commands.



If the ground is wet, tyre grip may be poor so that there is a risk of slipping. Adapt your driving behaviour accordingly and never drive with worn tyres.

4. Battery (in-built in the wheels)



Maintenance-free, rechargeable lithium-ion batteries are integrated in the twion wheels. For safety reasons they cannot be removed by the wheelchair driver but if necessary, need to be removed by your authorised specialist dealer.

Read and observe the following safety instructions and precautions before using the twion and before starting the charging process. Failure to comply with the safety precautions and instructions may damage the product or result in electric shock, fire and/or serious injuries. The lithium-ion battery contains chemical substances, which may cause hazardous reactions if the safety instructions specified here are disregarded. Alber GmbH cannot be held liable for damage caused by non-compliance with the general information and safety instructions.

4.1 Safety instructions for the batteries installed in the twion wheels

- Before using the twion wheels for the first time, the battery should be fully charged.
- The wheels must only be used at temperatures between -25°C and +50°C.
- The wheels must not be exposed to heat (e.g. radiators) or fire. External heat exposure can cause the battery to explode.
- In the (unlikely) event of a battery overheating or catching on fire, you must ensure that the battery does not come into contact with water or other liquids. The only suitable extinguishing agent that is recommended by the cell manufacturers is sand.
- Your twion uses power in all operating modes. Therefore, if possible, fully charge both batteries after every use.
- The twion wheels and the in-built batteries in particular, must not be opened or disassembled. Improper opening or wilful destruction of the wheels or the battery carries a danger of serious injury. In addition, opening the battery voids any warranty claim.
- Never connect the wheel socket [2] to metallic objects, or ensure that the contacts do not come into contact with metallic objects (for example with metal filings).
- If the socket [2] is dirty, clean it with a clean and dry cloth.
- Never immerse the battery in water.
- If damaged or defective, the battery must be checked. Contact your specialist dealer to learn about the proper procedure that must be used for returns and repairs.
- The wheel with the defective/damaged battery must not be used or opened under any circumstances.
- Always ensure that the twion wheels are kept clean and dry.

4.2 Storing the wheels

- The service life of a battery is partly dependent on its storage location. Therefore do not leave the twion wheels in hot locations for prolonged periods. In particular, use the boot of a car parked in the sun only for transport rather than as a storage location.
- Store the wheels in a cool and dry location where they are safe from damage and unauthorised access.
- To achieve the optimum battery service life, store the wheels at a temperature from 18°C to 23°C and at a humidity of 0% to 80%. The charge status under these conditions should be 50%.
- Do not expose the wheels to moisture of any kind during storage (water, rainwater, snow, etc.).
- Before storing them, charge the batteries and check their charge status every 3 months. Charge the batteries, if necessary, to 50%.
- The wheels should be stored or transported on their rear side or standing up.

4.3 General information on charging the batteries

- Do not charge the batteries in the presence or vicinity of flammable liquids or gases.
- In the (unlikely) event of a battery overheating or catching on fire, you must ensure that the battery does not come into contact with water or other liquids. The only suitable extinguishing agent that is recommended by the battery manufacturers is sand.
- Never complete the charging process in rooms where moisture may affect the wheels and the in-built batteries.
- Never charge the battery pack at temperatures below 0°C or above 40°C. If you attempt a charging process outside of this temperature range, the charging process will be automatically aborted.
- Charging the integrated batteries takes less than 5 hours.

4.4 Safety instructions for the battery charger and the charging process



Before starting the charging process, both wheels must be switched off.

If the batteries are charged directly on the wheelchair, this needs to be secured using its parking brakes against inadvertently rolling away.

- The charging process takes place directly on the wheels, which do not need to be removed from the wheelchair. In general, both batteries should always be charged at the same time, which is why the battery charger has two charging cables.
- Only use the charger supplied by Alber to charge your twion batteries. The charging process ends automatically as soon as the battery is fully charged. This avoids overcharging.
- Do not use any other charger than the one supplied by Alber.
- Do not use the charger to charge batteries other than the batteries installed in your twion.
- If the twion wheels are not used for a prolonged period (more than one day), the battery charger needs to be disconnected first from the mains socket and then from the wheel (battery).
- Do not expose the charger to moisture of any kind during charging (water, rain water, snow, etc.).
- Be aware of condensation. If the charger is brought from a cold into a warm room, condensation may occur on and in the device. In this case, refrain from using the charger until all condensation has dissipated. Please note that this may take several hours.
- Do not carry out the charging process in rooms where moisture may affect the charger.
- Never carry the charger by its power cable or the charger cables.
- Never tug at the power cable to disconnect the charger from the mains socket.
- Lay the power cable and the two attached charging cables in such a way that nobody can step on it or trip over it and so that the cables and charger are protected against any other harmful effects or stresses.
- Do not operate the charger if the power cable, one or both of the charging cables or the plugs attached to the cables are damaged. Damaged parts must be replaced immediately by a specialist dealer that has been authorised by Alber.
- Do not use or disassemble the charger if it has received a hard blow or was dropped or damaged in some other way. Take the damaged charger to a specialist dealer that has been authorised by Alber to perform repairs.
- The charger must not be used by children.
- The charger is designed to operate only with mains alternating voltage of 100V to 240V.
- Never attempt to disassemble or modify the charger.
- Do not cover the charger during the charging process or place any objects on top of the device.
- Never subject cable and plug to any pressure. Overstretching or bending the cable, pinching cables between a wall and a window frame or placing heavy objects on a cable or a plug may result in electric shock or fire.
- Do not connect the two pins of the charging cable plugs to any metal objects.
- Ensure that the plug is firmly inserted in the socket.
- Do not touch the mains plug or either charging cable plugs with wet hands.
- Do not use the charger plugs and/or the mains plug if they are wet or dirty. Before inserting them, clean the plugs using a dry cloth.
- Once the charging process is complete, first disconnect the plug of the charger from the socket and then disconnect the charging plug from the charging sockets of the twion wheels.
- Ensure that after disconnecting the charger, no moisture can get into the socket [2].
- Mains plug is used as disconnecting device. Therefore do not position equipment to make it difficult to operate the disconnection device.
- No modification of this equipment is allowed.
- If necessary, check the electrical connections and ensure that the charger is not covered and is properly positioned.

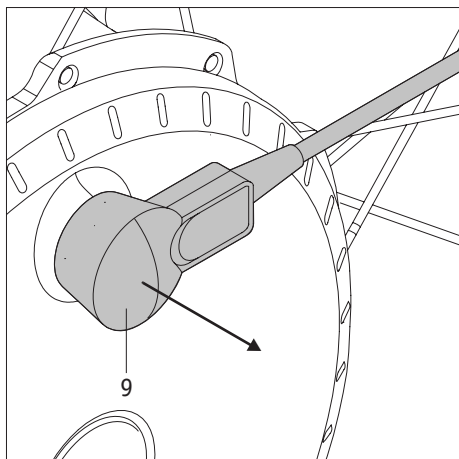
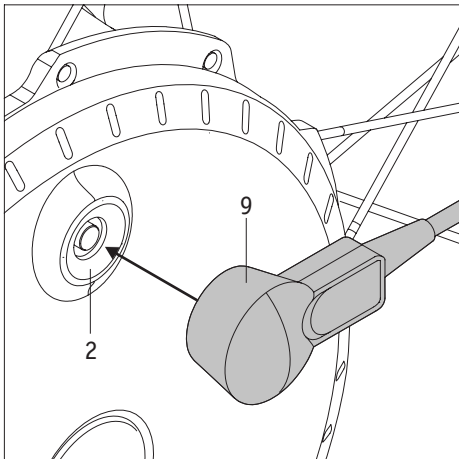


Before and after charging, ensure that the charger plugs [9] and the sockets in the on/off button [2] of the twion wheel are clean and that there are no metallic particles. If you detect such particles, use a dry and clean cloth to remove them.



The charger plugs are magnetic.

Therefore prevent the plugs coming into contact with medical implants, electronic storage media, bank cards or similar items.



4.5 Charging process

During the charging process the sensors on the push rims are calibrated. For this reason no pressure or tension must be exerted on the push rims [4] during the charging process. Therefore, ensure with every charging process that the push rims are free from any load. During charging, if the push rims are accidentally subjected to a load and the sensor alignment adjustment has been affected, please proceed as follows:

- Ensure that the push rims [4] are not subjected to any load, pressure or tension.
- Charge again for about 10 minutes; this will readjust the sensors.
- Finish the charging process.

The following describes how the charging process should be carried out on the twion wheels.

- The charger socket of the battery is integrated in the on/off button [2] on the twion wheel.
- Insert the plug of the battery charger [9] into the charger socket [2]. The connection is locked automatically by a magnetic closure.
- Then insert the power cable of the charger into a socket.
- Depending on the residual capacity the batteries have, one or more LEDs on the wheel light up, on the battery charger the LED display [10] flashes green (see also chapter 5.2).
- If the battery is fully charged, all five LEDs on the wheel illuminate and on the battery charger the LED display [10] illuminates a continuous green.
- Disconnect the mains plug of the battery charger from the mains socket.
- Only now remove the plug of the battery charger [9] out of the charger socket [2].



Ensure that the charger plugs [9] and the sockets in the on/off button [2] of the twion wheel are clean and that there are no metallic particles. If you detect such particles, use a dry and clean cloth to remove them.



If the twion wheels are not used for a prolonged period (more than one day), the battery charger needs to be disconnected first from the mains socket and then from the wheel (battery). Before using your twion, always check the charge status of the batteries. These should be fully charged at the start of your trip.



If a fault occurs when charging the wheels, this is shown by the LED display [1] and acoustic signals (see chapter 5.3).



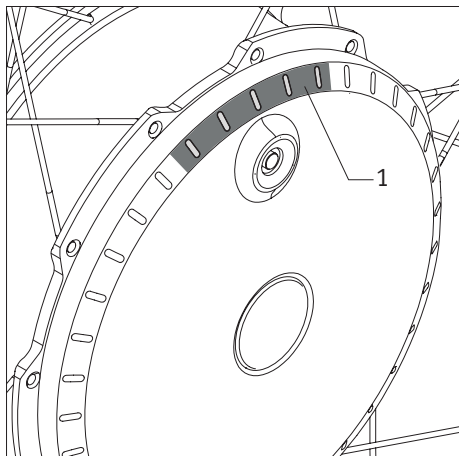
If the twion wheels are on the wheelchair for charging, before starting the charging process, switch off both wheels and secure the wheelchair using its parking brakes against inadvertently rolling away.



The magnetic plugs of the charger must not come near the sensor on the wheel because it could affect the calibration of the sensor.



During the charging processing no pressure or tension must be exerted on the push rims [4] because this can cause the charging process to stop.



5. Displays and fault indications on the wheel

5.1 The charge status of the battery

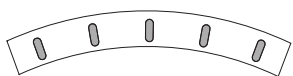
The charge status of the two twion batteries is displayed by the LEDs [1] that are fitted to the wheel.

Every time you switch on a wheel, all 5 LEDs light up briefly and then display the respective charge status of the battery. If the wheel moves, the LED display goes out; a new display is shown when the wheel is idle again.

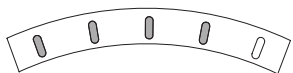
The following denote:

5 LEDs light up – the battery is charged to 100%.

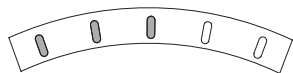
Avoid high speeds when driving down slopes as the current feedback in the wheels may lead to overvoltage in the battery and force the wheel to shut down.



4 LEDs light up – the battery is charged to 80%.

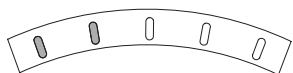


3 LEDs light up – the battery is charged to 60%.



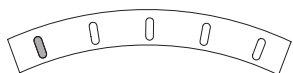
2 LEDs light up – the battery is charged to 40%.

We strongly recommend that you do not cover expansive distances without previously charging the batteries.



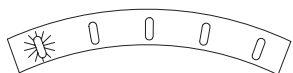
1 LED lights up – the battery is charged to 20%.

Charge the battery before using the twion.



1 LED (red) lights up – the battery is charged to 10%.

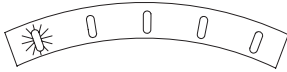
Charge the batteries before using the twion.



5.2 Displays when charging the battery

Displays on the wheel

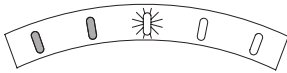
1 LED flashes – the battery is charged to less than 20%.



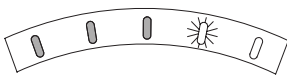
One LED flashes, 1 LED lights up – the battery is charged to between 20% and 40%.



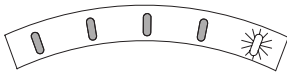
One LED flashes, 2 LEDs light up – the battery is charged to between 40% and 60%.



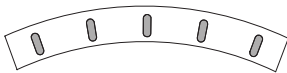
One LED flashes, 3 LEDs light up – the battery is charged to between 60% and 80%.



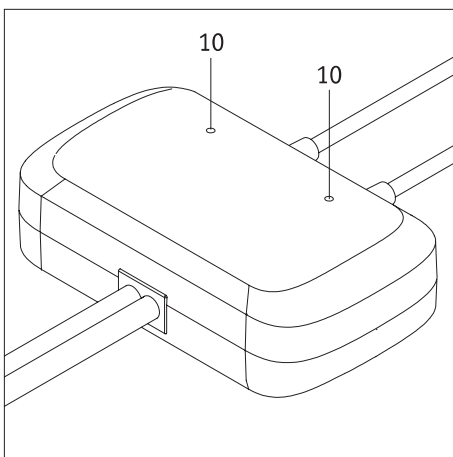
One LED flashes, 4 LEDs light up – the battery is charged to between 80% and 100%.



5 LEDs light up – the battery is charged to 100%.



If a fault occurs during the charging process, the fault is indicated by the LED display and various acoustic signals (see chapter 5.3).



Displays on the battery charger

The status of the battery charger is shown by its LED displays [10] as follows:

LED display	Status
Orange, illuminated	Charger is ready for use
Green, flashing	Charging process is underway
Green, illuminated	Charging process is complete
Red, illuminated	Fault

5.3 Fault indications

The following tables show the most frequently occurring faults, which occur primarily as a result of incorrect use.

5.3.1 Fault indication of the battery

LED display	Number of sounds	Sound interval (seconds)	Failure description	Remedy
○ ○ ○ ○ ○	1	6	Overvoltage in the battery. The warning often occurs when travelling downhill with a fully charged battery.	Travel at a reduced speed.
● ○ ○ ○ ○	1	6	Overvoltage in the battery. The system is forcibly shut down.	Switch on the system again. If the fault occurs several times in succession: contact your specialist dealer.
○ ○ ○ ○ ○	2	6	Low battery voltage, the remaining battery capacity has reached 10%.	Recharge your system without delay.
● ○ ○ ○ ○	2	6	Low battery voltage, the system has been forcibly shut down.	Recharge your system without delay.
● ○ ○ ○ ○	3	6	Battery fault.	Switch the system off and on again.
● ○ ○ ○ ○	4	60	The battery has less than 60% of the capacity of a new battery. The signal only occurs when switching the system on.	Contact your specialist dealer soon and replace the battery for a new one.

5.3.2 Fault indications when charging the batteries

LED display	Number of sounds	Sound interval (seconds)	Failure description	Remedy
● ● ○ ○ ○	1	6	The charging plug is plugged in, the wheel turns round.	Do not move your wheel during the charging process; the fault disappears after about 10 seconds. Restart the charging process.
● ● ○ ○ ○	2	6	The charging plug is plugged in but there is no power.	There is no charging current. Check the connections to the battery charger and to the twion wheels. The LED on the battery charger does not light up: possible charger defect. The LED lights up orange or red: possible wheel defect.
● ● ○ ○ ○	3	6	Temperature is too low when charging (< 0°C) or Temperature is too high when charging (> 40°C)	The charging process is aborted. Only charge the twion wheels at temperatures between 0°C to 40°C, as the batteries may otherwise be damaged.

5.3.3 Fault indication of the push rims

LED display	Number of sounds	Sound interval (seconds)	Failure description	Remedy
● ○ ● ○ ○	1	3	The signal of the push rim sensor is on for too long.	Switch the system off and then on again. If the fault arises again: charge the system for at least 10 minutes.
● ○ ● ○ ○	2	3	The signal of the push rim sensor stays on when switching the system on; sensor blockage.	Check whether the sensor is jammed or there are any objects in the wheel. After removing an object: charge the system for at least 10 minutes.

5.3.4 Fault indication in the event of excessive temperatures

LED display	Number of sounds	Sound interval (seconds)	Failure description	Remedy
●○○●○	1	10	High temperature at circuit board	Switch the system off and wait 60 minutes. Check the ambient temperature. If the fault occurs repeatedly after switching on again: the system needs to be repaired, contact your specialist dealer.
●○○●○	2	10	High temperature of the battery	

5.3.5 General faults

LED display	Number of sounds	Sound interval (seconds)	Failure description	Remedy
●○○○●	2	---	Internal fault, the system is defective.	Contact your specialist dealer.



If any fault indications other than those listed are indicated, there is a serious system malfunction. In this case the twion wheel cannot be used and must be sent to Alber GmbH via your specialist dealer for testing.



In the event of a problem with the tires or a tire damage immediately contact your specialist dealer.

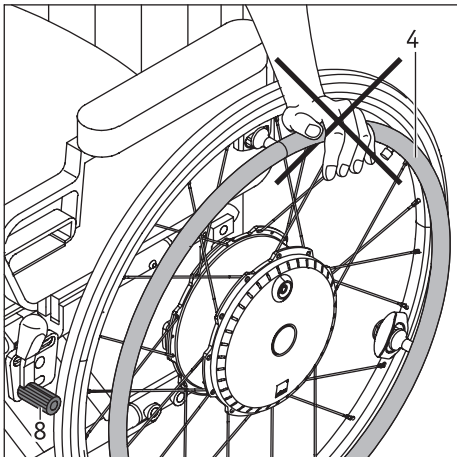
6. Automatic shut-down

If a wheel that has been switched off does not move for longer than 15 minutes, it is automatically turned off to save energy.

7. Replacing the fuse

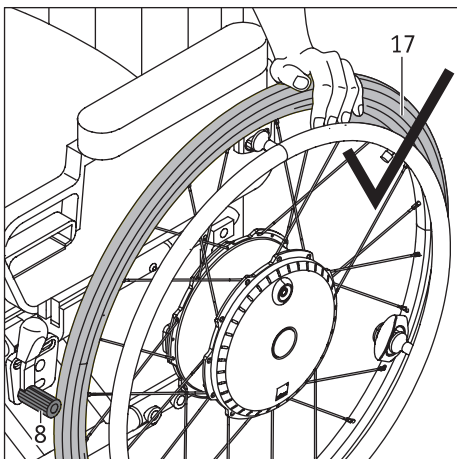
As with all electrical and electronic devices, your twion is equipped with a fuse system. In the event of a defect, the fuse reacts and thereby protects the electronics from sustained and expensive damage.

The fuse of the twion wheel is located within the electronics housed in the wheel hub. Any fuse replacement required, combined with a full diagnosis of the entire electronic system, may only be performed by Alber.



8. Important information about changing seats

- Switch off the twion.
- Tighten the handbrake [8] before changing seats into or out of the wheelchair, so that the wheelchair cannot roll away unintentionally.
- Do never prop up yourself with your hands on the push rim [4]. The sensors that are fixed on the push rim can be permanently damaged, so that the wheel is not functional anymore.
- Prop up yourself on the tyre [17] instead when you are changing seats and do not touch the push rim [4] while doing this.



9. Care, safety inspections (maintenance) and disposal

9.1 Care



Water ingress can destroy the drive.

For this reason do not clean the twion under running water or with a high-pressure cleaner.

Ensure that no liquid or moisture reaches the wheel hub. Cleaning the twion is therefore a task that must be carried out with special care.

Please observe the following instructions in particular:

- Clean the surface of the wheels with a dry or slightly damp cloth.
- Never use scouring pads, abrasive detergents or aggressive chemicals.
- Never clean the twion under running water, for example, using a hose or a high-pressure water jet. This can cause water ingress, causing irreparable damage to the electronics.

Alber GmbH shall not be liable for damage caused by water inside the device.

Please note that such damage is not covered by our warranty.

9.2 Re-use

If your twion has been provided to you by your health insurance company and you do not need it any longer, please contact your health insurer, Alber agent or authorised specialist dealer. Your twion can then be given to somebody else.

Before the twion is re-used, its safety must be checked. The brackets with which the twion wheels are attached to the wheelchair can be easily and quickly removed by your authorised specialist dealer or Alber agent and fitted to another.

In addition to the cleaning instructions given in chapter 9.1, before re-using the system the push rims and all externally accessible plastic parts of the twion wheels need to be disinfected (see also chapter 9.2). To do this, use a detergent suitable for wet disinfection and adhere to the use instructions.

9.3 Maintenance (safety inspections)

Legislators have regulated how to carry out safety inspections in the German Medical Devices Operator Ordinance (MPBetreibV). Safety inspections (hereinafter referred to as STK) are intended to verify the operation and safety of the product, uncover any defects and, if necessary, initiate steps/repairs that will restore the product to proper working order.

Section 6 of the MPBetreibV stipulates that the manufacturer has to specify an interval at which this STK is to be performed and which must not exceed 2 years with regard to the products listed in appendix 1. Based on our market observations, an interval of 2 years has proven reasonable for products used as mobility aids that are used under normal operating conditions.

This guideline value of 2 years may vary with the product's respective degree of utilisation and the behaviour of the user. Checking the degree of utilisation and the user behaviour is the responsibility of the operator.

In any case, we strongly recommend that you clarify beforehand to what extent the cost of the STK is covered by your health insurance provider, especially with regard to any existing contracts.

9.4 Disposal



This device, its batteries and accessories are durable products.

They might however contain substances that are hazardous to the environment, if the parts are disposed of in locations (e.g. landfills) that are not destined for the disposal of such materials according to the applicable statutory regulations. The product is labelled in accordance with European Directive (WEEE Directive) with a "crossed-out rubbish bin" symbol, reminding you that it must be recycled.

Please protect the environment and return the product at the end of its service life to your local recycling centre.

As this product is not covered by the regulations of the WEEE Directive in all European countries, please inform yourself of the applicable waste disposal regulations in your country. Alternatively, return the twion to your authorised specialist dealer or Alber GmbH for proper and environmentally safe disposal.

10. Storage

If your wheelchair and the twion will be stored for an extended period (e.g. several months), please observe the following:

- Store the wheelchair according to the wheelchair manufacturer's specifications.
- Protect the twion components with film in order to keep moisture out.
- Store the wheelchair and all twion components in a dry room.
- Ensure that no moisture penetrates into or drips onto the wheelchair or twion components.
- Ensure that the wheelchair and twion are not continuously exposed to solar radiation (e.g. through windows).
- Ensure that unauthorised persons - especially children - do not have unsupervised access to this room.
- Follow the instructions for storing the battery pack.
- The wheelchair and the twion twion components must be cleaned prior to recommissioning.
- Check whether a safety inspection is required before recommissioning and arrange for said inspection if necessary.

11. Product safety information

All components of your twion have undergone functional tests and extensive inspections. However, in the event of an unforeseeable impairment in the operation of the twion, the following web pages would be available to customers with prompt and appropriate safety information:

- Home page of Alber (manufacturer of the twion)
- Home page of the German Federal Institute for Drugs and Medical Devices [BfArM]

If any corrective measures should be necessary, Alber shall notify the specialist dealer, who will then contact you.

12. Estimated service life

We expect that the estimated service life of this product is five years on average provided that the product is used as intended and maintained and serviced in accordance with all instructions specified in the operating manual. This service life can be extended by handling, servicing, maintaining and using the product with care and if there are no technical limitations that arise from further developments in science and technology. However, the service life may also be reduced significantly by excessive or improper use. The service life required by the applicable standards shall not be deemed an additional guarantee.

13. Warranty, guarantee and liability

13.1 Warranty for defects

Alber guarantees that the twion is free of defects at the time of delivery. This warranty expires 24 months after the date of delivery of the twion.

13.2 Guarantee of durability

Alber provides a 24-month durability warranty for your twion.

The durability guarantee does not include:

- Devices whose serial numbers have been tampered with or removed.
- Wear parts such as tyres, operating elements, spokes and batteries.
- Defects caused by normal wear, incorrect handling including non-compliance with the instructions in this operating manual, accidents, reckless damage, damage caused by fire, water, force majeure and other events that are outside the control of Alber GmbH.
- Parts that may need to be serviced or replaced as part of normal use (e.g. tyre change).
- Device inspection without detection of a fault or defect.

13.3 Liability

Alber GmbH as the twion manufacturer shall not be liable for the safety of the product, if:

- the twion is incorrectly handled
- the twion is not serviced at the prescribed two-year intervals by an authorised specialist dealer or Alber GmbH
- the twion is commissioned in contravention to the instructions in this operating manual
- the twion is operated with insufficient battery charge
- the twion is repaired or modified by a person not authorised to carry out such work
- third-party parts are attached to the twion
- components of the twion are removed

14. Technical data

Wheel

Range:	15 kilometres according to ISO 7176 - 4
Maximum speed:	10 km/h – adhere to country-specific road traffic legislation
Drive output:	2 x 60 W
Motor voltage:	37 V
Operating temperature:	-25°C to +50°C
Max. overall weight:	145 kg, maximum person weight 120 kg

Wheel tyres

Name	Model and type	Size (inches)	Air pressure in bar and kPa
Marathon Plus Evolution	Evolution Line, 2Grip, black, wired	24 x 1.00	min. 6.0 / max. 10.0 bar min. 600 / max. 1000 kPa
Schwalbe One	V-Guard, 2Grip, black folding	24 x 0.90	min. 6.0 / max. 10.0 bar min. 600 / max. 1000 kPa
Airborne	Evolution Line, 2Grip, black folding	24 x 1.20	min. 4.0 / max. 6.5 bar min. 400 / max. 650 kPa

Battery

Battery type:	Lithium-ion, 10INR19/66 – rechargeable, leakproof and maintenance free
Rated operating capacity:	37 V
Charging temperature:	0°C – 40°C
Protection class (wheel with battery):	IPx4 (protected against splash water)

Miscellaneous

All twion components are protected against corrosion

Weight of components

Wheel:	6.0 kg
Battery charger:	0.45 kg
Total weight:	12.0 kg

- (*) The range depends on the terrain and the prevailing driving conditions. The specified maximum range is valid for optimum travel conditions (level terrain, a newly recharged battery pack, ambient temperature of 20°C, smooth travel, etc.).
- (**) This value indicates the upper technical limit and depends on the wheelchair model. This value might also be affected by the suitability of the attendant.
- All electrical components of the twion are protected against spray water and humidity.
- Valid norms and test dummies with a weight of 120 kg were used to determine the individual information listed above. When operating the twion, however, individual values may differ from the information listed.

Automatic charger

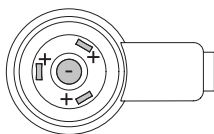
Model	PS 4510
Mains voltage	100...240 V~, 50...60 Hz
Power output	45 W
Output voltage	2 x 45 V
Output current	2 x 0.5 A
Protection rating	IP 41
Ambient temperature	Operation 0...40°C Storage -40...+65°C
Humidity	Operation 10...80% Storage 5...95%

Air pressure

Operation 500...1060hPa

Storage 700...1060hPa

Polarity of the two charging plugs:



Please note!

If the unit for US and CAN is not provided with a power supply cord set, a CSA and or UL approved power supply cord set, 2 Pole, 0.75mm²(18AWG), 1.8m, 125Vac must be used.



The twion conforms to the requirements laid down in the European Medical Device Directive 93/42/EEC as well as the applicable sections of standard DIN EN 12184 and ISO 7176-8. The battery charger conforms to European guidelines.

We reserve the right to modify the design and technology of our products to incorporate the latest developments.

15. Information about the charger

Guidelines and manufacturer's declaration – Electromagnetic fault tolerance

The systems discussed in this manual are intended for use in the type of electromagnetic environment specified below. The customer or user of the device or system should insure that it is operated in such an environment.

Immunity requirements	Test level	Matched level	Electromagnetical environment - guidelines
Discharge of static electricity (ESD) as per IEC 61000-4-2	±8kV Aerial discharge ±4kV Discharge on contact	±8kV Aerial discharge ±4kV Discharge on contact	Floors should consist of wood or concrete or be furnished with ceramic tiles. If the floor is furnished with synthetic material the relative humidity must not be less than 30%.
Fast transient electrical disturbances (Bursts) as per IEC 61000-4-4	+/- 1 kV for power cables +/- 0.5 kV for Input- and output wires	+/- 1 kV for power cables +/- 0.5 kV for Input- and output wires	The quality of the supply voltage should be up to that of a typical business or hospital environment.
Surges as per IEC 61000-4-5	±1 kV differential mode ±2 kV common mode	±1 kV differential mode ±2 kV common mode	The quality of the supply voltage should be up to that of a typical business or hospital environment.
Voltage drops, temporary interruptions and fluctuations of the supply voltage as per IEC 61000-4-11	<5% UT (>95% collapse of UT) for ½ period <40% UT (>60% collapse of UT) for 5 periods <70% UT (>30% collapse of UT) for 25 periods <5% U _T (>95% collapse of U _T) for 5 s	Passed, A Passed, B Passed, A Passed, C	The quality of the supply voltage should be up to that of a typical business or hospital environment. If the user of the device or system requires continued function during interruptions of the power supply it is recommended to supply the device or system from an uninterruptible power supply or a battery.
Magnetic field at the mains frequency (50/60 Hz) as per IEC 61000-4-8	3A/m	3A/m	Magnetic fields at the mains frequency should conform to typical values, as found in business and hospital environments.

NOTE: U_T is the AC supply voltage before application of the test level.

Recommended safety distances between portable and mobile HF telecommunications devices and the non life-sustaining device or system

The systems discussed in this manual are intended for use in the type of electromagnetic environment specified below that have controlled RF interference levels. The customer or user of the device or system can help avoiding electromagnetic disturbances by observing the minimum distance - which depends on the power output of the communication device, as given below - between mobile RF communication devices (senders) and the device or system.

Rated power of the transmitter W	Safety distance, dependent on the transmission frequency [m]		
	150 kHz to 80 MHz $d = \left(\frac{1}{2}\right) * \sqrt{P}$	80 MHz to 800 MHz $d = \left(\frac{1}{2}\right) * \sqrt{P}$	800 MHz to 2.5 GHz $d = \left(\frac{2}{3}\right) * \sqrt{P}$
0.01	0.12	0.12	0.23
0.1	0.38	0.38	0.73
1	1.2	1.2	2.3
10	3.8	3.8	7.3
100	12	12	23


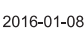








For transmitters which have a maximum rated power which is not indicated in the above table, the recommended safety distance d in metres (m) can be determined using the equation belonging to the respective column, whereby P is the maximum rated power of the transmitter in Watts (W) according to the transmitter manufacturer's specifications.

NOTE 1:
The higher frequency range applies at 80 MHz and 800 MHz.

NOTE 2:
These guidelines may not necessarily be applicable in all cases. The propagation of electromagnetic variables is influenced by absorption and reflection values associated with the buildings, objects and people around.


16. Labels and explanation of symbols

There are labels on the wheels and the battery charger which contain various details on the product. In the event of a system defect, components can be replaced by your specialist dealer as part of the Alber exchange parts pool. Your specialist dealer will need some of the information given on the labels.

Systemnr. / System No.	M24160008	
Produkt/Modell [Product/Model]	twion T24	
Betriebsspannung [Rated Voltage]	37 V	
Motor Nennleistung [Rated Power]	2 x 60 W	
Max. Geschwindigkeit [Max. Speed]	6 km/h [4mph]	
Batterie Typ [Battery Type]	Lithium-Ion	
Batteriekonfiguration [Battery Config.]	10INR19/66	
Batterie Nennkapazität [Rated Capacity]	2,25 Ah	
Batterie Nennenergie [Rated Energy]	83,25 Wh	
     		
		
Alber GmbH Vor dem Weissen Stein 21 (01)04046727162986 D-72461 Albstadt (11)160108 Made in Germany (21)M24160008		









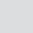
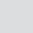
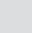
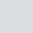
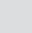
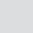
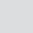

System label on the twion wheel

Please specify the system number of the wheel when exchanging a device as part of the Alber exchange parts pool. The system label is on the back of the twion wheel.

Safety Inspection		
Date:	
Realisation:	
01	Next	07
02	Inspection	08
03		09
04		10
05		11
06		12
2017	2018	2019
		2020

“Safety inspection” label on the twion wheel

The label should remind you when your next safety inspection is due. It is on the back of the twion wheel.

Battery Charger Art. No. 1565458	
Gerätetyp [Type Reference] [Type d'appareil]	PS4510
Ausgangsnennspannung [Rated Output Voltage] [Tension nominale de sortie]	2 x 45V 
Ausgangsnennstrom [Rated Output Current] [Courant nominal de sortie]	2 x 0,5A
Eingangsnennspannung [Rated Input Voltage] [Tension d'alimentation]	100–240V~, 50–60Hz
Eingangsstrom [Input Current] [Courant d'entrée]	0,83A-0,36A
Schutzart [Degree of Protection] [Indice de protection]	IP 41
OEM Hersteller [OEM Manufacturer] [Fournisseur OEM]	INPOTRON GmbH
OEM Gerätetyp [OEM Type Reference] [Type d'appareil OEM]	PSU-0652-05
             	
 Alber GmbH 72461 Albstadt Made in Germany	

“Technical data” label on the battery charger

The label shown in the adjacent diagram is found on the underside of the battery charger and provides information on its technical data.

1520540 051021.0

1016133494

4046727146443

Component label on the battery charger

Please specify the component number of the battery charger (number in the middle of the label, shown by an arrow in the adjacent diagram) when replacing the device within the Alber exchange parts pool. The component label is on the underside of the battery charger.

Explanation of symbols

The following sections explain the symbols used on the wheel's system label and the battery charger's technical data label.



The twion conforms to the requirements laid down in the European Medical Device Directive 93/42/EEC as well as the applicable sections of standard DIN EN 12184 and ISO 7176-8.

The battery charger conforms to European guidelines.



Disposal instructions, see chapter 9.4.



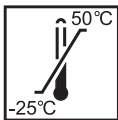
Warning against magnetic fields and forces.



Protect the device from moisture.



Only use the device inside your home, not outdoors.



Indicates the temperature range in which the device can be used.



Protective insulation / appliance class 2



Complies with US and Canadian guidelines



PSE approved



Read the operating instruction before use



Important, observe accompanying documents.



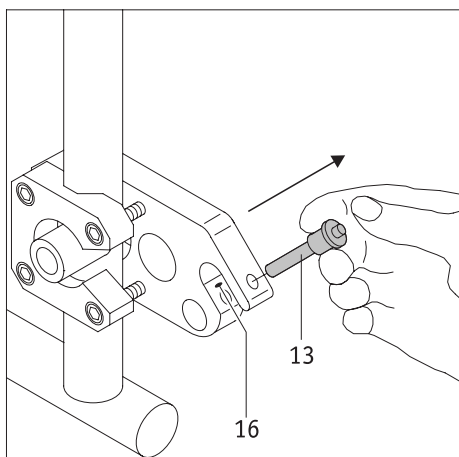
Maximum weight of person that the twion can accept as its load capacity (120 kg).



Specifies the date of manufacture



Name and address of the device manufacturer



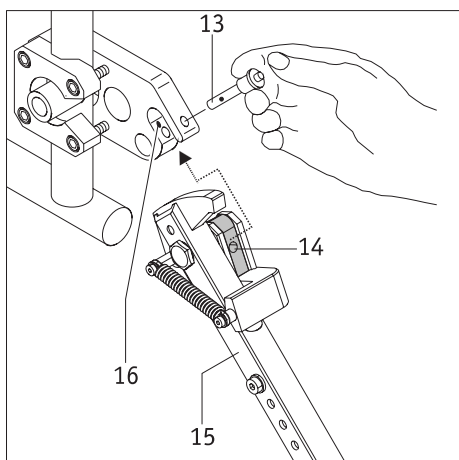
Anti-tippers (optional accessories)

As your wheelchair may already be equipped with anti-tippers, Alber anti-tippers are only offered as optional accessories. The use of original anti-tippers is subject to the instructions and safety information that apply to their use and are provided by the manufacturer.

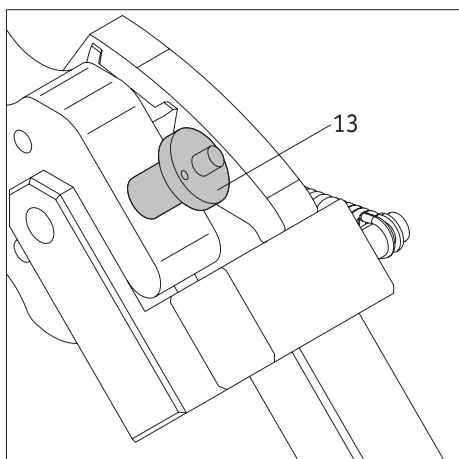
When using Alber anti-tippers, two further brackets are fitted to your wheelchair in which the anti-tippers are inserted. The following instructions and safety precautions apply.

Fitting and removing Alber anti-tippers

- Switch off the twion wheels before fitting the anti-tippers.
- Remove the quickpin [13] from the bracket mounting fork [16], by pressing on the pin with your thumb whilst pulling it out using your index and middle finger.

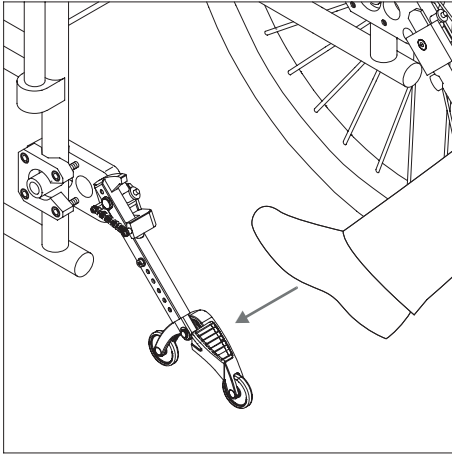


- Push the clamping piece for the anti-tipper [14] into the bracket mounting fork [16].
- Lock the bracket mounting fork [16] using the quickpin [13]. To do this, press the pin with your thumb and then push it fully into the bracket as far as it will go.



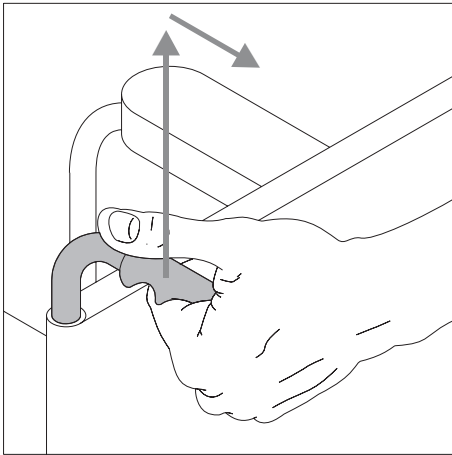
- Check the quickpin [13] holds fast in the bracket mounting fork [16]. It must not be able to be removed without pressing the releasing device.
- Fit the second anti-tipper.

The anti-tippers are removed in the reverse sequence.

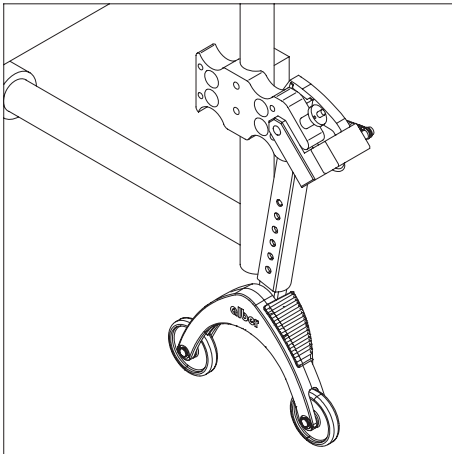


Using the Alber anti-tippers

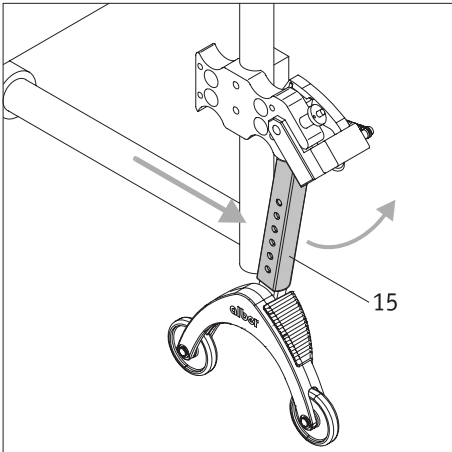
- As shown in the diagram, press your foot on an anti-tipper.



- Whilst doing so, pull the wheelchair by its handles a little upwards and to the rear until the wheelchair has been raised and the anti-tippers click into a fixed position.

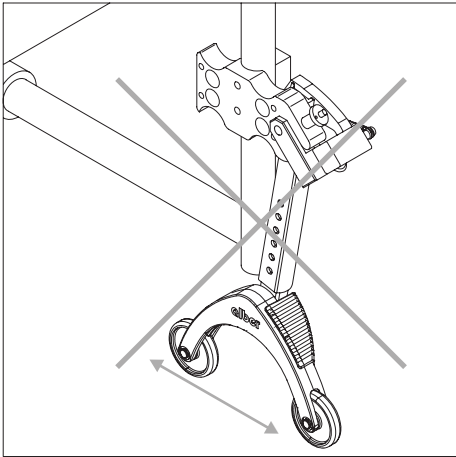


- Now, you can fit or remove a wheel. If you are fitting or removing twin wheels, these need to be switched off.
- Repeat the process with the second anti-tipper on the other side of the wheelchair.



- Once the wheels are fitted, you can return the anti-tippers to their starting position. To do this, push the wheelchair forwards and at the same time push back the holding rod [15] using your foot.

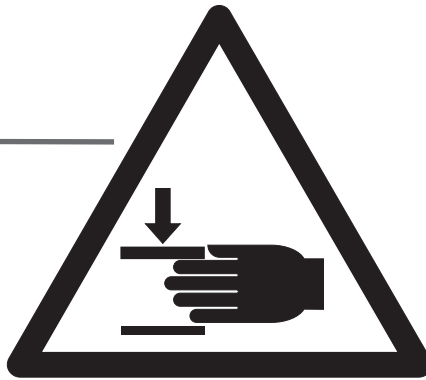
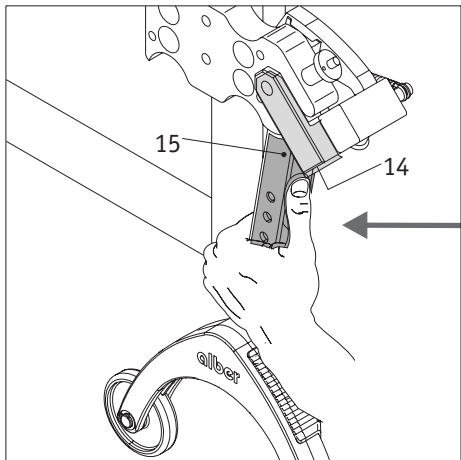
Important operating and safety instructions



Jacking up the wheelchair is not permitted when the wheelchair user is still seated.



**Anti-tippers are not transfer rollers.
Do not move the wheelchair when it is jacked up.**



Caution must be exercised when moving or collapsing the anti-tippers, particularly when manually adjusting or activating. As a result of the necessarily high spring force there is a crushing hazard between the holding rod [15] and the clamping piece [14].

Mobility Plus package

When purchasing the Mobility Plus package, you can activate additional features of your twion. With the Mobility Plus package you can do the following:

- Increase the assistance speed of your twion wheels from 6 km/h to 10 km/h. For this purpose, country-specific road traffic acts must be observed.
- Motor-assisted driving via cruise mode without having to repeatedly push the push rims. (analog of a car's cruise control function).
- Remote control of your twion wheelchair via Smartphone with the remote function. This control is only allowed when wheelchair is without occupants.
- Retrieve product information such as battery status of your wheels.

Before initial operation of these functions, please read the operating manual of your twion, particularly the safety and hazard information contained therein. In addition to the general safety information, the following information must be observed when using the Mobility Plus package.



Please observe the country-specific road traffic acts when increasing the assistance speed from 6 km/h to 10 km/h.

Remote

Remote control of the wheelchair by means of the remote function is only allowed when wheelchair is without occupants.

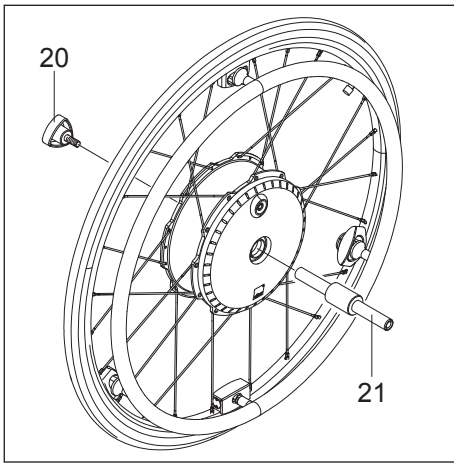
Cruise mode

- Before use of the cruise mode in public areas you should first become familiar with the driving characteristics in a safe and risk-free environment. Develop a feeling for using continuous drive, initiating a change in directions during continuous drive, accelerating to an increased continuous speed, slowing down and behaviour during an emergency stop. You should test and practice these fundamental driving situations before moving on public roads.
- If cruise mode is activated, your hand must always be positioned near the push rims to make prompt changes in direction and to safely stop the wheelchair.
- To prevent accidental start-up of the function, always deactivate cruise mode when stopping or taking a break from driving. Deactivation is to be performed via the cruise mode function in the Mobility Plus App. For this purpose, please become familiar with the App.
- Cruise control may only be activated by the person sitting in the wheelchair. Unauthorised persons not familiar with the cruise mode function are not allowed to activate or use the function.
- To ensure that the battery indicator of the left and right battery of the drive wheels corresponds to the twion App display on your Smartphone and the propelling movement via the push rims is interpreted accurately in regard to direction, the wheels must be attached in the correct position on the right and left side. Use the stickers (L/R) included in delivery to mark the wheels accordingly (from the perspective of the wheelchair user in direction of travel).
- Never use the parking brakes of the wheelchair to perform a change in direction while driving in cruise mode. The wheelchair brakes are parking brakes to keep the wheelchair in its parked position, not service brakes. Any use other than for parking is only permitted in case of emergency.
- Always keep a close eye on the road ahead of you since the front wheels of the wheelchair may lock up in case of obstacles and uneven surfaces, which can cause falls with serious injuries.
- To avoid dangerous driving situations, getting up and down curbs is only permitted when cruise mode is switched off.
- The use of cruise mode at danger points, specifically at the points listed below, is not allowed:
 - Quay walls, berths and marinas, paths and areas near water, bridges and dykes without railings.
 - Narrow footpaths, gradients (e.g. ramps and driveways), narrow paths along slopes, mountain paths.
 - arrow and/or steep/inclined paths along main and side roads or near precipices.
 - Paths covered with leaves, snow or ice.
 - Ramps and lifting equipment on vehicles.



Any unauthorised use constitutes a misuse of the device. Alber shall not be liable for any damages resulting from abuse of the device.

20



21

Transportation Kit, Art. No. 1591362

Conflate of the twion wheels

- Switch the twion wheels off (see chapter 2.3)
- Remove both wheels from the wheelchair.
- Insert the axle [21] into the front side of the twion wheel as illustrated in the drawing and screw it with the knob [20].
- Take the other twion wheel, push it with the front side on the axle [21] and screw it with the second knob [20].
- Both wheels are now secured for transportation.

After transportation

- Unscrew the two knobs [6] from the axle [21].
- Pull the axle [21] out of the two twion wheels.
- Screw the axle [21] with the two knobs [20], so that the three single parts are together and couldn't get lost.

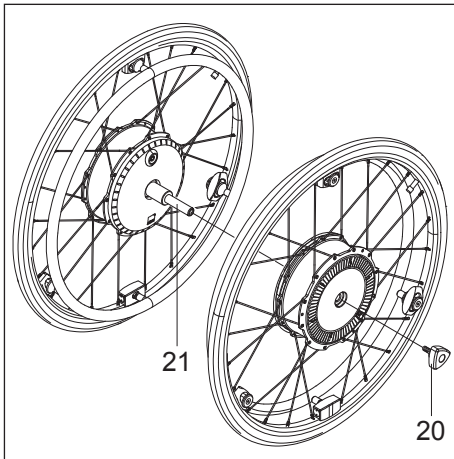


Never hold a twion wheel on its push rim [4]. This could damage the fitted sensors. Instead, hold the twion wheel by its tyre or the wheel hub.



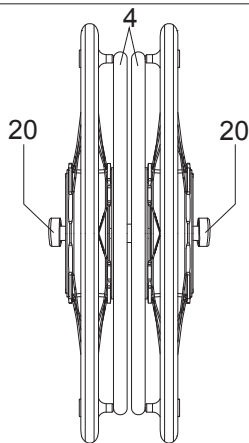
Avoid to switch on the wheels inadvertently when they are put together.

If the wheels are transported by air, they are not allowed to be switched on.



21

20



4

20

20

Ihre Alber-Vertretung / Your Alber representative / Votre représentation Alber /
Vostra rappresentanza Alber / Su representación Alber / Din Alber representant /
Din Alber-agenturene / Uw distributeur Alber / Deres Alber-repræsentation



Alber GmbH

Vor dem Weißen Stein 21
72461 Albstadt-Tailfingen

Telefon +49 (0)7432 2006-0

Telefax +49 (0)7432 2006-299

info@alber.de

www.alber.de