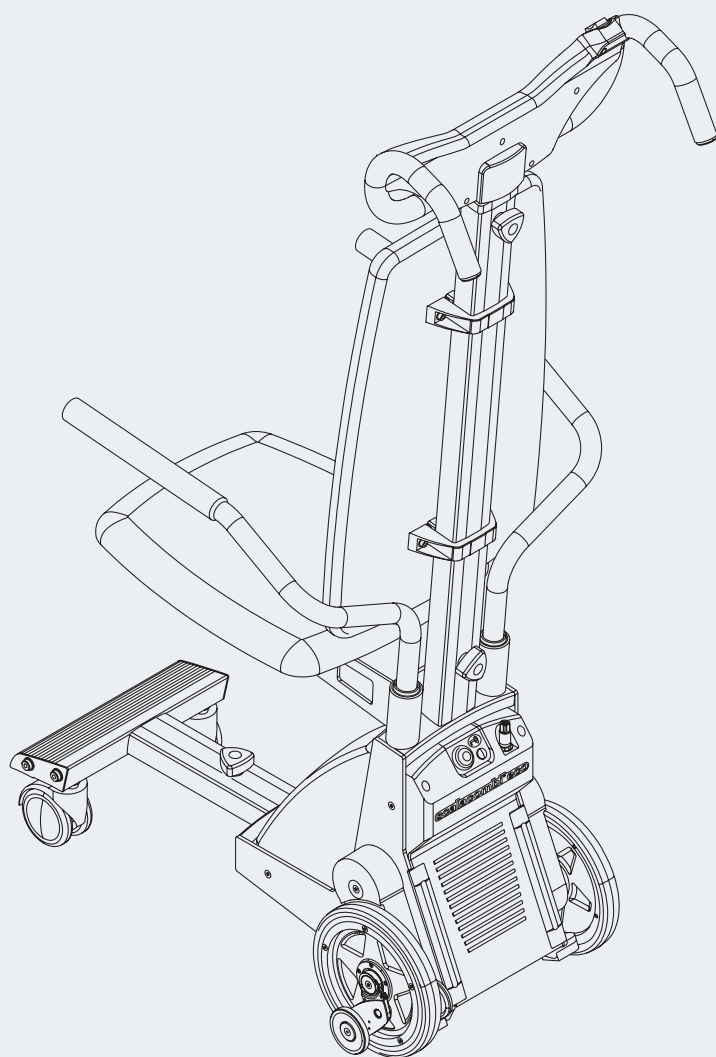


alber

**DAMIT TREPPENSTEIGEN
EINFACH WIRD.**

scalacombi[®] eco



Gebrauchsanweisung

de

User manual

en

Instructions d'utilisation

fr

Istruzioni per l'uso

it

Manual de instrucciones

es

Instruktionsbok

se

Gebruiksaanwijzing

nl

CE

Service Center (Deutschland)

Montag bis Donnerstag von

8.00 - 18.00 Uhr

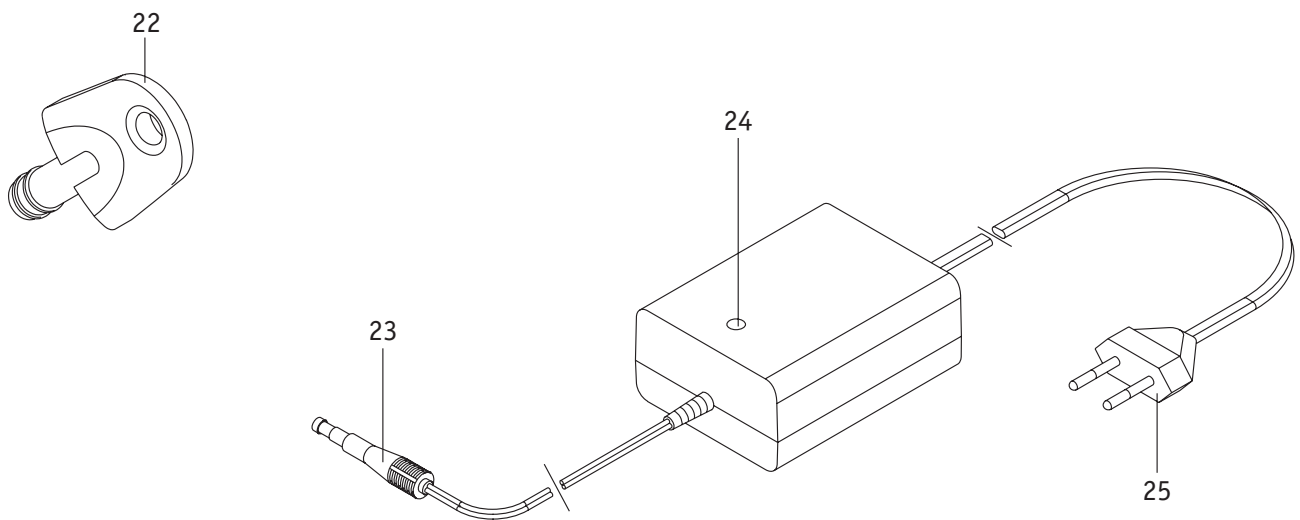
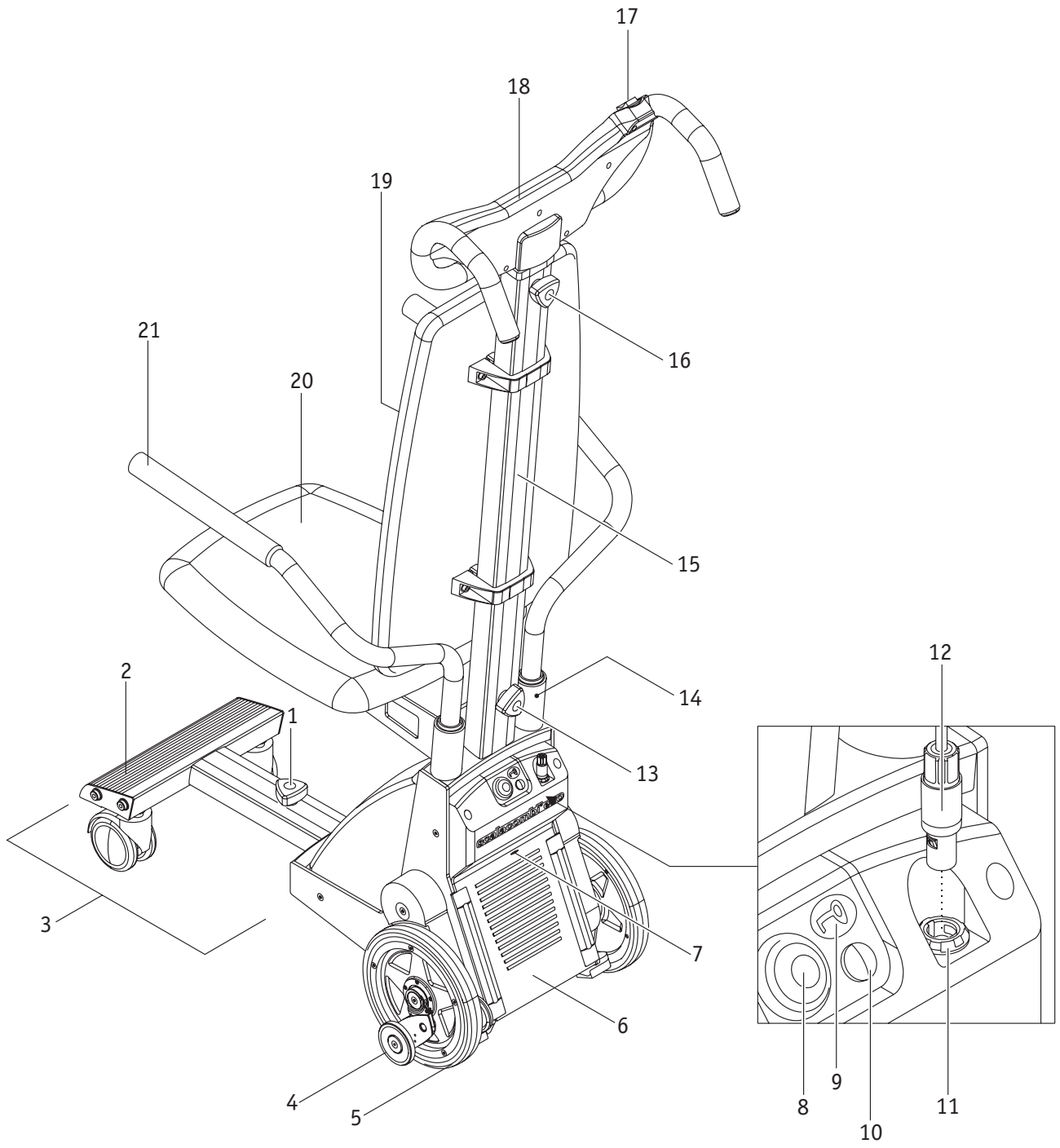
Freitag von

8.00 - 16.00 Uhr

erreichbar unter

Telefon (0800) 9096-250





Contents	
1. Introduction	2
1.1 Important safety instructions – please observe carefully at all times	2
1.2 Proper use of the scalacombi	2
1.3 Permissible operating conditions/locations of operation	3
1.4 Standard scope of delivery	3
1.5 Optional accessories	3
1.6 Stairs suitable for scalacombi	3
1.7 The main elements at a glance	4
2. Commissioning	5
2.1 Adjustment of the scalacombi	6
2.2 Functional check	7
2.3 Sitting down on the seat	8
2.4 Switching on the scalacombi	9
2.5 Switching off the scalacombi	9
3. Operation on a staircase	10
3.1 Climbing up a staircase	10
3.2 Climbing down a staircase	11
3.3 Climbing a spiral staircase	12
3.4 Climbing metal grid stairs	13
3.5 Halting the scalacombi while climbing a staircase	13
4. Anti-theft device	14
4.1. Activating anti-theft device	14
4.2. Deactivating anti-theft device	14
5. Automatic shut-down	14
6. Batteries	15
6.1 Charging the batteries	15
6.2 Information on the batteries used in the scalacombi	15
7. Transport and storage	16
7.1 Disassembling and assembling individual components	16
7.2 Instructions for storage and transportation	17
8. LED display and error messages	18
9. First remedies in the event of a malfunction	18
10. Safety and hazard information	19
10.1. General safety and hazard information	19
10.2 Safety and hazard warnings attached to the scalacombi	20
11. Care and cleaning instructions, safety inspections (maintenance), reuse and disposal	20
11.1 Care and cleaning instructions	20
11.2 Safety inspections (maintenance)	20
11.3 Reuse	21
11.4 Disposal	21
11.5 Storage	21
12. Product safety information	21
13. Service life	21
14. Warranty and liability	22
14.1 Warranty for defects	22
14.2 Guarantee of durability	22
14.3 Liability	22
15. Technical data	23
16. Labels	24
17. Signs and symbols	25
Optional accessories	
Headrest	26



1. Introduction

1.1 Important safety instructions – please observe carefully at all times

The scalacombi is a mobile stair climber with built-in seat.

For safety reasons, it must only be operated by persons who

- have been instructed in its handling
- who can climb stairs backwards
- can lift at least 20 % of their own bodyweight
- have the physical and mental capacity to operate the device safely in all possible situations.

When purchasing a new device, the initial instruction in its use is part of the scope of delivery and is provided by your specialist dealer on appointment. The instruction is free of charge.

If you feel a little unsure how to handle your scalacombi, please contact your specialist dealer for advice.

In the event of a technical fault or failure, contact your specialist dealer or an agent of Alber GmbH.

The performance of the scalacombi can be affected by electromagnetic fields, produced for example by mobile phones. Therefore, switch off the scalacombi if a mobile phone is used in the vicinity of the wheelchair. Persons using the scalacombi and accompanying persons must not use a mobile phone during stair climbing.

Avoid strong electromagnetic fields as under certain circumstances they might interfere with the function of the scalacombi.

We generally recommend refraining from using the scalacombi in locations that are exposed to strong electric fields.

When in operation, the scalacombi might under certain circumstances interfere with other electrical equipment such as anti-shoplifting barriers in department stores.

2



Starting up the scalacombi without prior proper instruction is prohibited. Contact your specialist dealer or an Alber representative in this regard.



Using the scalacombi to climb stairs is more demanding for the user than pushing the wheelchair on level ground, and therefore requires increased awareness and observation of all of the operating information included in these instructions.

1.2 Proper use of the scalacombi

The scalacombi has been designed exclusively for conveyance of persons with a walking disability over steps; note in this regard that you should not convey a person with a walking disability on escalators or moving walkways. It is forbidden to make any technical modifications to the device. Do not attach any parts other than accessories approved by Alber GmbH for operation. The scalacombi must only be operated under the following conditions:

- Compliance with the information, instructions, and recommendations contained in this operating manual
- The device is operated by a person who has been instructed in its use
- No technical modifications have been made to the device by the user or by any third party
- The person to be transported is able sit on the scalacombi without the need for assistance
- The operator must check whether it is necessary to use a lap belt and/or the foot belt
- During transportation, the arms of the person being conveyed may not project over the armrests of the scalacombi seat.

An instructed person is a person who has been instructed in the operation of the scalacombi and in his/her tasks and who has been made aware of the possible hazards associated with improper use of the device. The instruction session is provided by the authorized specialist dealer or by an agent of Alber GmbH. The operation of the scalacombi by non-instructed or unqualified persons is expressly prohibited.

The scalacombi must not be used for transportation tasks that contravene the intended use of the stair climber. This applies in particular to all types of load transports such as the transport of household objects across steps or stairs.

The use of the scalacombi for any of the following purposes is deemed improper by Alber GmbH:

- Use of the device that contravenes the instructions and recommendations in this operating manual
- Exceedance of the technical limits laid down in this operating manual
- Technical modification to the stair climber
- Use and/or attachment of parts and accessories that have not been supplied or approved by Alber GmbH

Alber GmbH shall not be liable for damage caused by improper use of the stair climber.

While being conveyed on stairs, the person sitting in the scalacombi must remain still. Please note that, when transporting persons with certain disabilities, there might be uncontrolled body movements that can result in a shift of the centre of gravity of the scalacombi during transportation.

The person operating the stair climber should therefore at all times be capable to react to such sudden movements of the person being conveyed. The person operating the scalacombi must therefore decide whether the respective person can be safely transported on the scalacombi.

1.3 Permissible operating conditions/locations of operation

The scalacombi must only be used for climbing stairs at ambient temperatures between -25 °C and +50 °C. The use of the stair climber as a transfer system for short distances to and from a stair is permitted.

Never release the scalacombi when on a stair. Do not tilt the stair climber backwards, unless this is required in the event of an emergency. Ensure that the surface on which the scalacombi is to be used is not wet, waxed or otherwise slippery. Carpets must be installed so that they cannot slip.

The step height must not exceed 20 cm. The minimum step depth should not be below 14 cm. Please always observe the safety and hazard information in chapter 10.



Do not expose your scalacombi to strong sunlight for long periods of time, especially when not in use. This could cause the device to heat up and in an extreme case, not be able to operate at full power. Even plastic parts age quicker under intense sunlight.

1.4 Standard scope of delivery

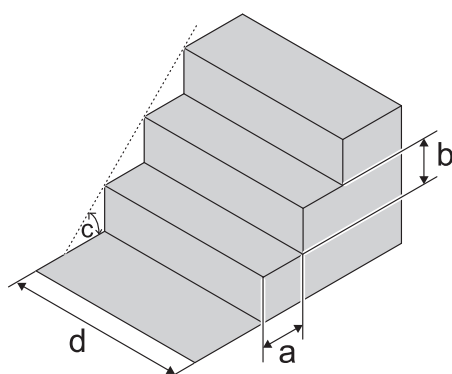
- 1 scalacombi stair climber, fully assembled and ready for operation
- 1 charger including operating manual
- Key for anti-theft device
- Operating manual

1.5 Optional accessories

- Headrest
- Lap belt
- Foot belt

We recommend using only original accessories supplied by Alber GmbH.

The scalacombi is designed in such a way that best performance is achieved when using Alber original accessories. Alber GmbH shall not be liable for damage to the product or damage caused by accidents (e.g. fires caused by explosion of the battery pack, leaks, etc.) caused by a malfunction of non-original accessories or spare parts. The warranty does not cover repairs for damage caused by malfunction of non-original accessories. Alber GmbH will, however, carry out such repairs for you against a charge.



1.6 Stairs suitable for scalacombi

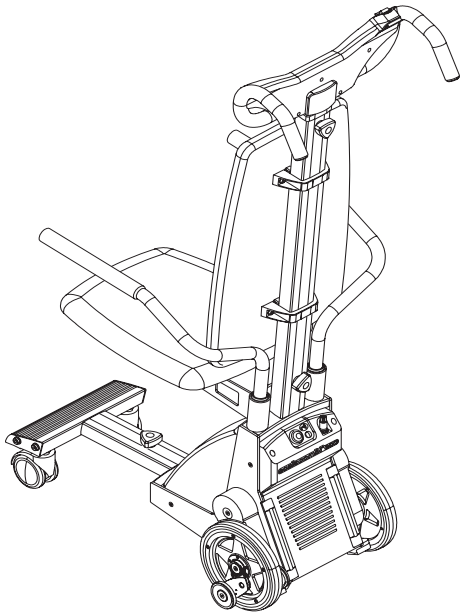
The scalacombi can climb stairs of the following dimensions:

- Minimum step depth: 14 cm
- Maximum step height: 20 cm
- Minimum step width of straight stairs: 55 cm
- Minimum landing size of U-shaped staircases: 1.35 m
- Minimum radius of spiral staircases: 1.35 m

1.7 The main elements at a glance

(Fold open diagram of the scalacombi on the first inside pages of this manual)

Adjustment knob of the foot support	1	Receptacle for seat and armrest	14
Footrest	2	Standpipe	15
Foot support	3	Adjustment knob of handlebar	16
Brake	4	Driving switch UP/DOWN	17
Drive wheel	5	Handlebar	18
Drive unit	6	Backrest	19
Charger socket	7	Seat	20
ON/OFF button	8	Armrest	21
Sensor field of anti-theft device	9	Key for anti-theft device	22
LED display	10	Charging plug	23
Socket for spiral cable adapter	11	LED display of charger	24
Spiral cable adapter	12	Mains plug of charger	25
Adjustment knob of standpipe	13		



2. Commissioning

The scalacombi and all accessories ordered by you are delivered to you by Alber GmbH or your specialist dealer. All you need to do is adjust the handlebar to the size of the operating person (see chapter 2.1).

The instruction session in the operation of the stair climber includes climbing up and down a stairwell by the operator under the supervision of the instructor. You will quickly become familiar with the correct operation of the scalacombi and will soon feel comfortable using it on stairs.

In addition, you can at all times refer to this operating manual that has been handed over to you together with the stair climber. Apart from technical information, it contains important instructions for the correct and safe use of the device. Before operating the stair climber on your own, carefully read all instructions in this manual. If you have any questions, please do not hesitate to contact your specialist dealer or an agent of Alber GmbH.



The instruction in the operation of the scalacombi must be provided by an authorised specialist dealer or agent of Alber GmbH.



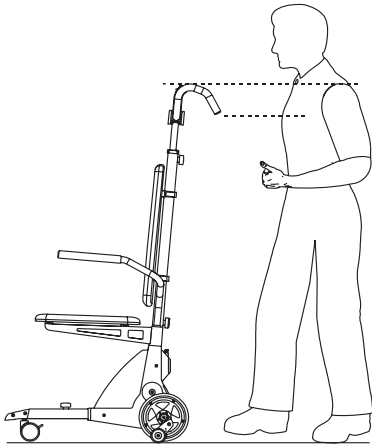
Only persons instructed by an authorised specialist dealer or agent of Alber GmbH are authorised to operate the scalacombi.



The operation of the scalacombi without prior proper instruction is prohibited.



During the instruction in the use of the stair climber, you will be given a lot of useful information on how to operate the scalacombi on stairs.

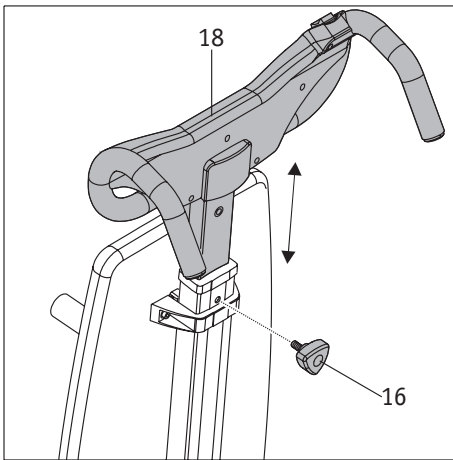


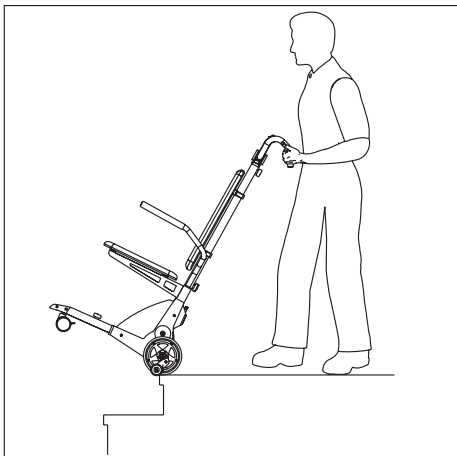
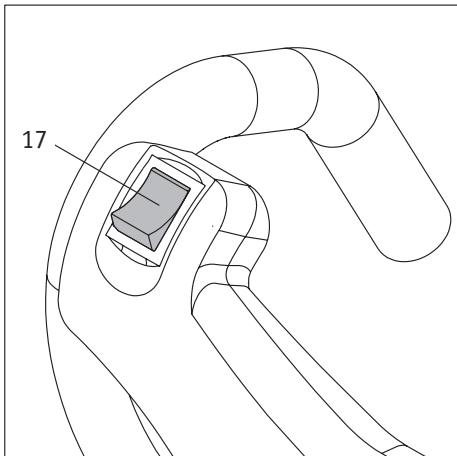
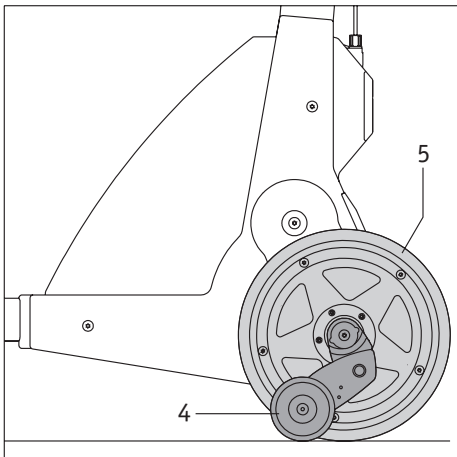
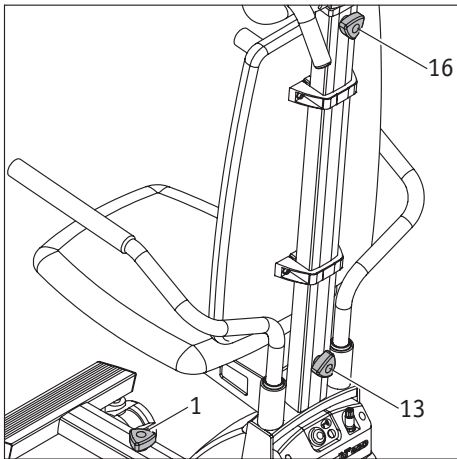
2.1 Adjustment of the scalacombi

To ensure correct and comfortable handling of the scalacombi, you must adjust the handlebar to approximately the shoulder or chest height of the operator. Normally, this adjustment is made by the specialist dealer or agent of Alber GmbH upon delivery of the scalacombi.

If the height must be adjusted subsequently, please proceed as follows:

- Loosen and remove the adjustment knob [16] while holding the handlebar [18] to prevent it from dropping suddenly.
- Slide the handlebar [18] up or down to the desired position (corresponding to the shoulder height of the operator).
- Screw the adjustment knob [16] into the next fitting bore in the handlebar.
- Tighten the adjustment knob [16] properly.





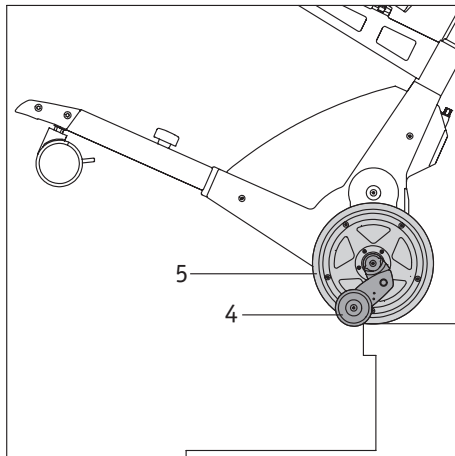
2.2 Functional check

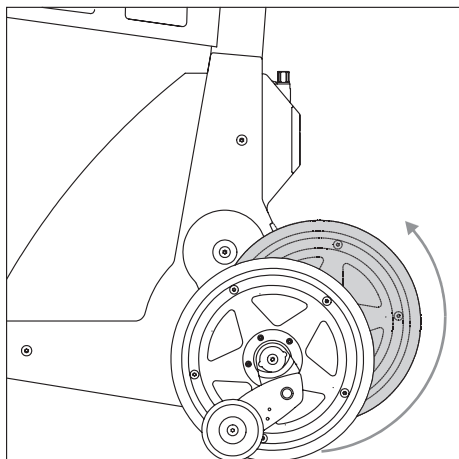
As a rule, you should only climb stairs when the batteries are fully charged to avoid the risk of becoming stuck on the stairs due to empty batteries. For safety reasons, always test the brakes before climbing a staircase. This check must be performed without a person sitting on the scalacombi and while the climber is switched off.

- Check the two adjustment knobs [13] and [16] to ensure that they are properly tightened.
- Check the adjustment knob [1] of the foot support for proper tightening.
- Check whether the two drive wheels [5] and the brakes [4] are in pushing position (see diagram to the left for correct wheel position). If this is not the case, switch the scalacombi on (see chapter 2.4). Press and hold the driving switch [17] until the two wheels are in pushing position where they are automatically switched off.
- Should the wheels fail to reach the correct pushing position despite switching the climber on and off, refrain from using the scalacombi!
- Switch the scalacombi off (see chapter 2.5).
- Carefully drive the scalacombi to the edge of the first step.
- Slowly slide the drive wheels [5] of the step edge. The two brakes [4] must now engage to prevent further movement of the scalacombi over the edge.
- If the two brakes [4] work properly, you can begin to operate the scalacombi.



If one or both brakes [4] do not work properly, do not operate the scalacombi. First check whether a small object (small stone, or etc.) has become caught in the brake system [4] causing the malfunction. If this is not the case and if the malfunction persists after you have removed the object, the stair climber is defective. Contact your specialist dealer or an agent of Alber GmbH without delay. Do not operate the scalacombi until a check has been performed successfully.





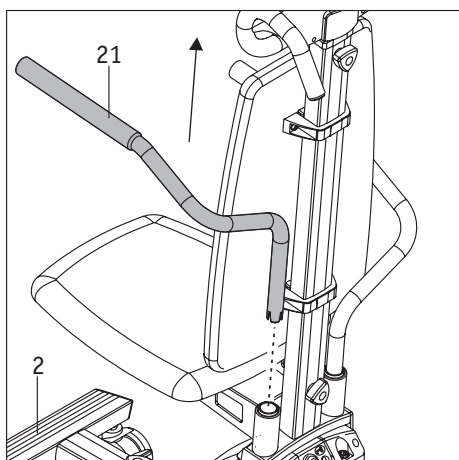
2.3 Sitting down on the seat

To secure the scalacombi against inadvertent movement during the transfer of a person to the stair climber, move the drive wheels a little backwards away from the pushing position (see diagram to the left) so that the housing is properly placed on the floor. To do this, switch the scalacombi on (see chapter 2.4) and then press the driving switch [17] to its lower position (see chapter 3.1). Then switch the scalacombi off (see chapter 2.5).

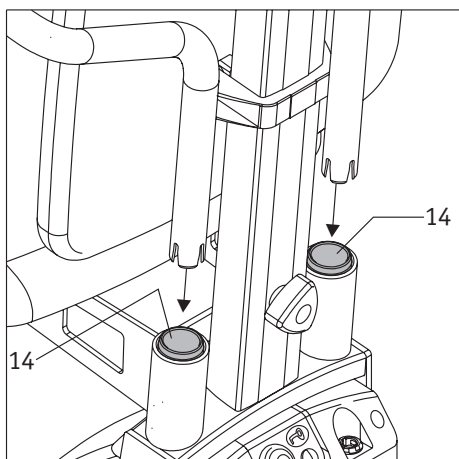
Before allowing a person to sit down on the scalacombi, ensure that the stair climber is switched off!

The passenger normally sits down on the stair climber seat [20] from the front. If this cannot be done easily or is not possible at all, you can remove the two armrests [21] to transfer the person to the stair climber, using for example a seating aid.

- To do this, pull the two armrests [21] upwards from their receptacles.
- Allow the person to sit down on the scalacombi and position his/her feet properly on the footrest [2].
- Insert the armrests [21] in the receptacles [14] of the scalacombi.
- Ensure that the armrests [21] properly engage in the receptacles [14] and cannot be turned.
- When the person to be transported is properly seated on the scalacombi, switch the device on and begin climbing the stairs.



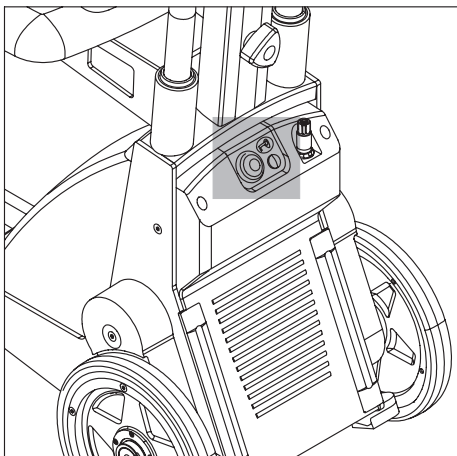
If you have moved the drive wheels as described above towards a back position to facilitate sitting down on the climber, you should move them back to their pushing position. To do this, switch the scalacombi on (see chapter 2.4) and then move the driving switch [17] to its upper position until the climber is automatically switched off. The wheels are now in pushing position (see chapter 3.2).



If necessary, secure the feet and legs of the person on the scalacombi using the foot belt (optional accessory) and tighten the lap belt (optional accessory) around the person's waist.



Ensure that the feet of the passenger are at all times placed on the footrest [2].



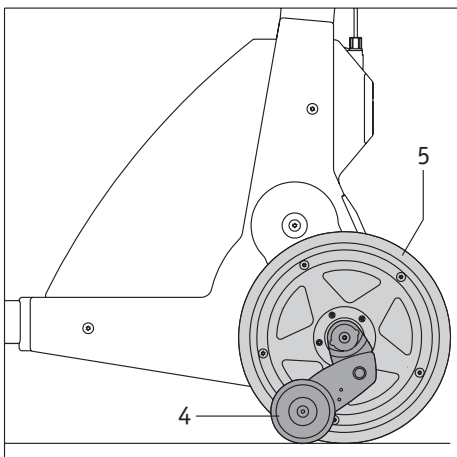
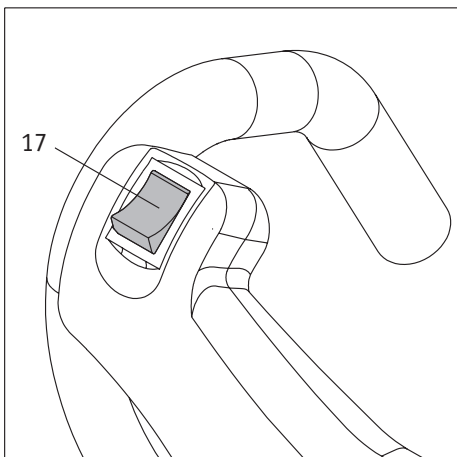
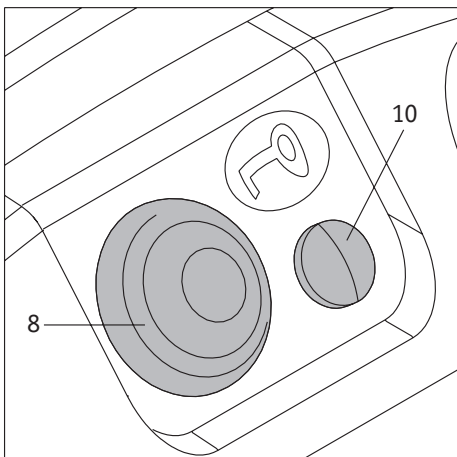
2.4 Switching on the scalacombi

- To switch on the scalacombi, press the ON/OFF button [8].
- After the stair climber has been switched on, a brief audible signal is generated and the current operating status of the scalacombi is shown on the LED display (see chapter 8).
- Check whether the two drive wheels [5] and the brakes [4] are in pushing position. Should this not be the case, press and hold the driving switch [17] until the two wheels are in pushing position where they are automatically switched off.
- The scalacombi is now ready to climb the stairs (see chapter 3).
- If you do not begin climbing the stairs within the next 15 minutes, the scalacombi is automatically shut down to save energy.

2.5 Switching off the scalacombi

To save energy, we recommend switching off the scalacombi when not in use, i.e. after the last climbing operation.

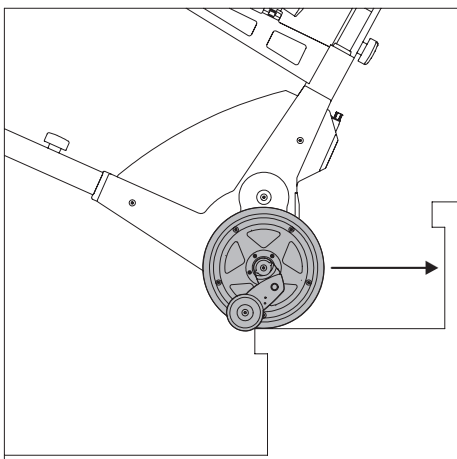
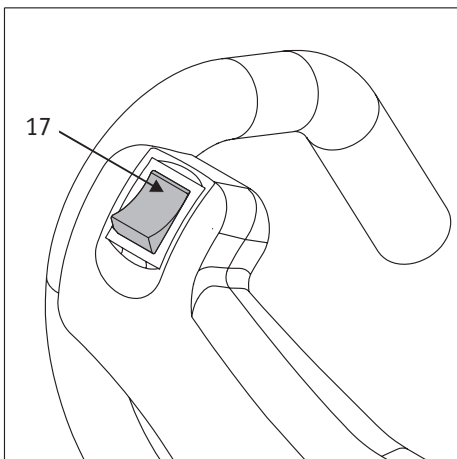
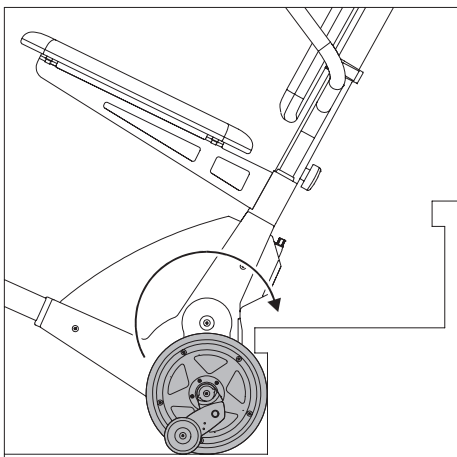
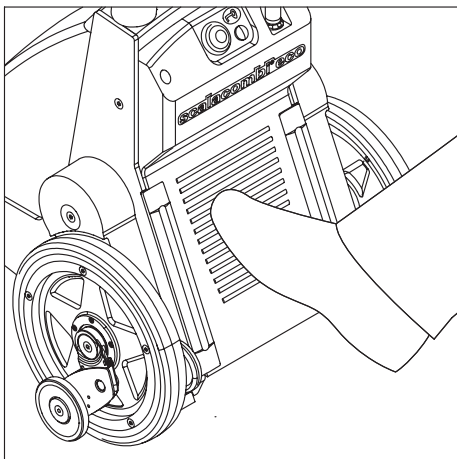
- Move the two drive wheels [5] and the brakes [4] while they are in their pushing position by pressing the driving switch [17] (see chapters 2.2 and 2.4).
- Press the ON/OFF button [8].
- A continuous audible signal is generated and the scalacombi is fully switched off.



The scalacombi may only be switched off when standing on level ground. Only in the event of a serious emergency may it be halted during climbing operation. See also safety instruction in chapter 3.4.



Always actuate the ON/OFF button [8] with your fingers and not with your feet.



3. Operation on a staircase

During your initial instruction session, you have already learnt how to climb stairs with the scalacombi. You also had the opportunity to complete your first climb under the supervision of the authorised dealer or agent of Alber GmbH. Before transporting a person on the scalacombi, you should, however, read the instructions below and practice the individual steps with the empty stair climber on a staircase.

To safely transport a person, you might need to use a lap belt or foot belt (optional accessories). It is the responsibility of the operator to check whether such equipment is necessary.

3.1 Climbing up a staircase

- The passenger must take his/her place on the scalacombi while it is standing on firm level ground.
- Ensure that the two drive wheels [5] and the brakes [4] are in pushing position (see chapter 2.2).
- Check again that the person is properly seated on the scalacombi.
- If the scalacombi is not yet switched on, do this by actuating the ON/OFF button [8] (see chapter 2.4).
- Tilt the scalacombi towards you until it is at an optimum angle so that the stair climber with the passenger is well balanced. Maintain this angle during the entire climb up the stairs.
- To tilt the scalacombi, you can place a foot against the panel between the two wheels (see diagram to the left).
- Carefully move the scalacombi towards the stair until both wheels of the climber touch the first step (see diagram to the left).
- To move up one step, press the driving switch [17] into its upper position and hold it there until the first step has been climbed. Simultaneously pull the scalacombi slightly towards you.
- After the first step has been climbed, the climbing function is automatically switched off. You can now release the driving switch.
- The scalacombi is now standing on the outer edge of the first step of the staircase and must be pulled by you towards the next step.
- Press the driving switch [17] again into its upper position and climb the next step.
- Repeat the above steps until all steps of the staircase have been climbed.
- After the last step has been climbed, move the scalacombi to a firm and level surface (do not leave it at the edge of the step!).
- To do this, place the two drive wheels [5] and the brakes [4] in their pushing position (see chapter 2.2).
- Switch the scalacombi off.
- The person transported up the stairs can now exit the stair climber.



If the driving switch [17] is released during climbing operation, the wheels are immediately stopped in their position. Do not release the driving switch when climbing up a step, unless in an emergency situation (see chapter 3.4).



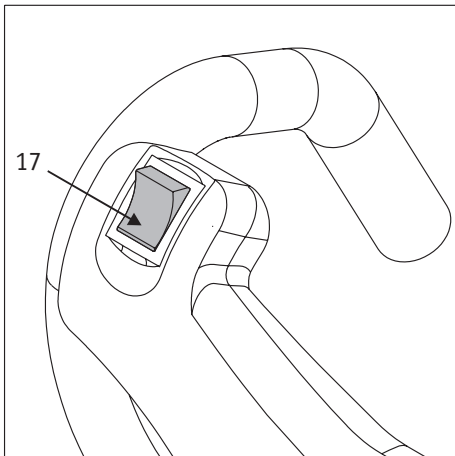
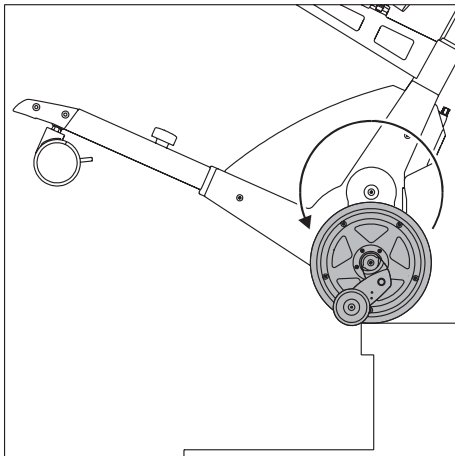
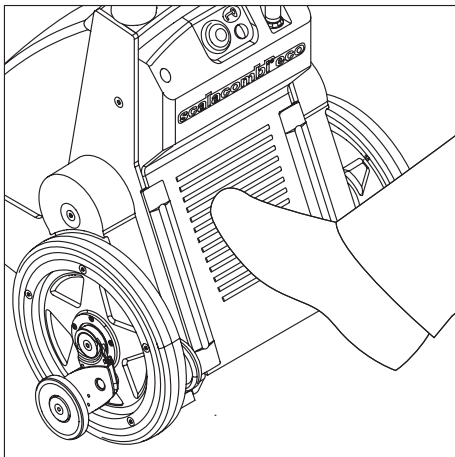
Use the scalacombi only on staircases that are not wet, waxed or otherwise slippery. Ensure that carpets are properly secured to the floor. The step height may not exceed 20 cm. The minimum step depth should not be below 14 cm.



Never release the handlebar when climbing up a staircase!



The person transported on the scalacombi must only exit the climber after it has been placed on a firm surface away from the edge of the top step.



3.2 Climbing down a staircase

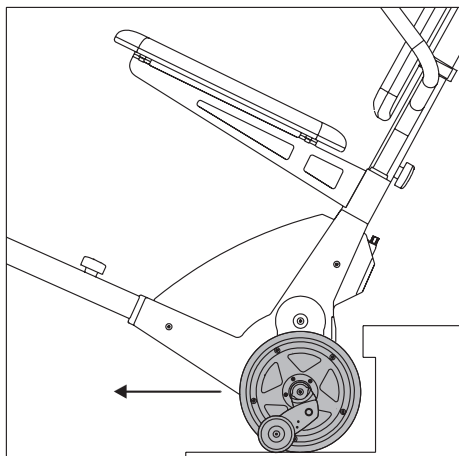
- The passenger must take place on the scalacombi while it is standing on firm level ground. Do not allow the stair climber to be accessed when it is standing near the upper staircase edge.
- Ensure that the two drive wheels [5] and the brakes [4] are in pushing position (see chapter 2.2).
- Check again that the person is properly seated on the scalacombi.
- If the scalacombi is not yet switched on, do this by actuating the ON/OFF button [8] (see chapter 2.4).
- Tilt the scalacombi towards you until it is at an optimum angle so that the stair climber with the passenger is well balanced. Maintain this angle during the entire climb down the stairs.
- To tilt the scalacombi, you can place a foot against the panel between the two wheels (see diagram to the left).
- Carefully move the scalacombi towards the edge of the top step of the staircase until the brakes of both wheels engage (see diagram to the left).
- To move down one step, press the driving switch [17] into its lower position and hold it there until the stair climber has been lowered to the next step. Simultaneously move the scalacombi slightly forward.
- After the stair climber has been lowered down the step, the climbing function is automatically switched off. You can now release the driving switch.
- The scalacombi is now positioned on the next lower step of the staircase and must be moved again carefully towards the edge (see diagram on next page).
- Press the driving switch [17] again into its lower position and lower the stair climber down one step.
- Repeat the above steps until you reach the bottom of the stairs.
- After the stair climber has been lowered down the last step, move the scalacombi to a firm and level surface.
- To do this, place the two drive wheels [5] and the brakes [4] in their pushing position (see chapter 2.2).
- Switch the scalacombi off.
- The person transported down the stairs can now exit the stair climber.



If the driving switch [17] is released during climbing operation, the wheels are immediately stopped in their position. Do not release the driving switch when climbing down a step, unless in an emergency situation (see chapter 3.4).



Use the scalacombi only on staircases that are not wet, waxed or otherwise slippery. Ensure that carpets are properly secured to the floor. The step height may not exceed 20 cm. The minimum step depth should not be below 14 cm.



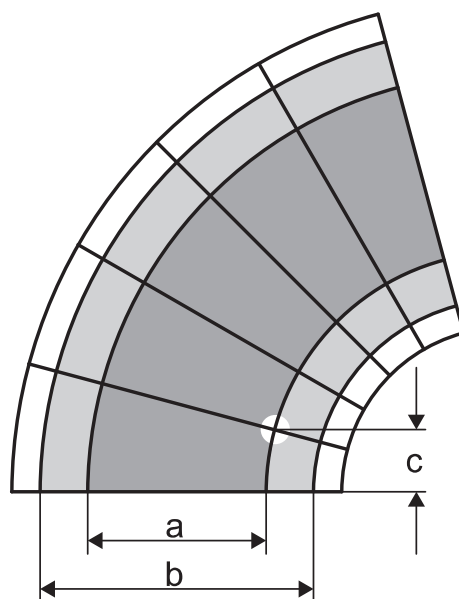
Never release the handlebar when climbing a staircase!



The person transported on the scalacombi must only exit the climber after it has been placed on a firm surface away from the edge of the top step.



When climbing down a staircase, always push the scalacombi slightly forward.



3.3 Climbing a spiral staircase

To use the scalacombi on a spiral staircase, follow the operating instructions in chapters 3.1 and 3.2.

Please note however that the wheel at the inside of the spiral staircase needs to travel a shorter distance than that on the outside. The scalacombi must be repeatedly realigned with the spiral case during climbing the steps so that the wheels are always in line with the edge of the step to be climbed next.

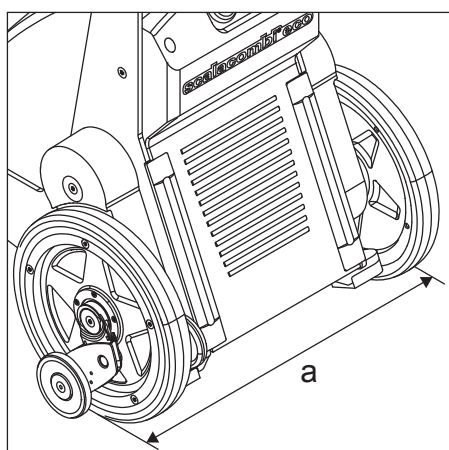
IMPORTANT OPERATING NOTE

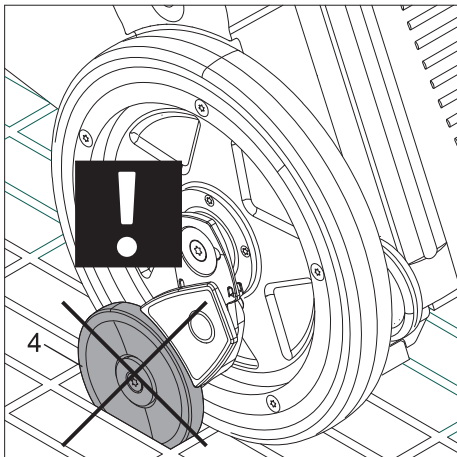
To use the scalacombi safely on a spiral staircase, certain requirements must be fulfilled. The distance between the two outer wheels of the scalacombi is $a=33$ cm. The narrowest part of the spiral staircase to be climbed, i.e. the point where the outer wheels of the scalacombi touch a step, must have a minimum step depth of $c=14$ cm. The minimum radius of the spiral staircase must not be less than 1.35 metres.

Do not use the scalacombi on stairs with a lower step depth or lower radius.



Never release the handlebar when climbing a staircase!





3.4 Climbing metal grid stairs

Special caution is required when using the scalacombi on stairs whose steps are made of metal grids!

On metal grid stairs with wide grid

- the brakes of the scalacombi might not work properly
- the rubber feet of the scalacombi might become jammed in the grid when the stair climber is placed on a step



Before transporting a person over such stairs, complete a test run with the empty wheelchair. If the brakes become jammed, do not use the scalacombi on the stairs. The scalacombi must not be rotated, as this could bend or destroy the brake.

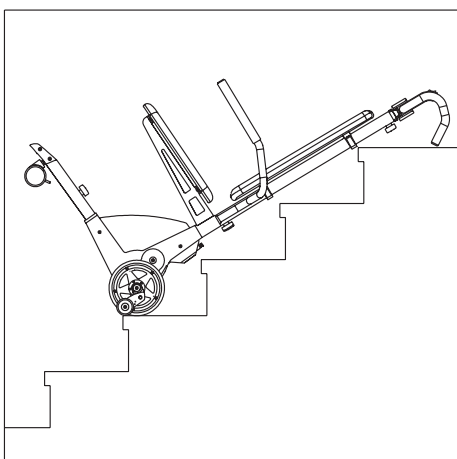
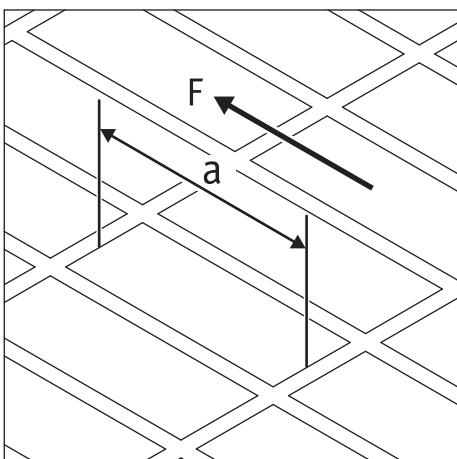
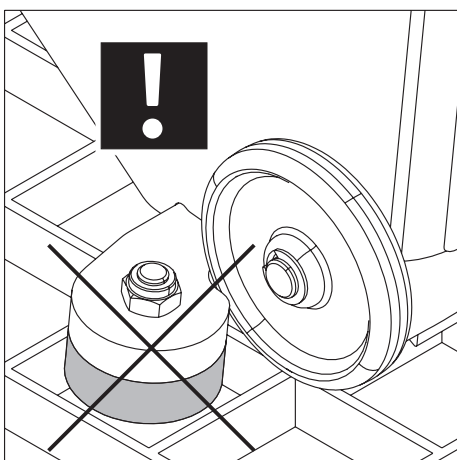


Never use the scalacombi on wet or slippery metal grid stairs. When using the stair climber on outdoor stairs, ensure that metal grids are not covered in wet leaves or pieces of paper, as they make the steps slippery. Never use the scalacombi on stairs that are obviously slippery. Never use the scalacombi to climb stairs covered in ice.



To guarantee brake function [4], the length of the grid structure (measured in the direction of travel [F] of the scalacombi) must not be less than a= maximum 55 mm.

Never use the scalacombi on metal grid stairs where the specified values are exceeded.



3.5 Halting the scalacombi while climbing a staircase

When climbing stairs, do not interrupt the operation of the scalacombi. In other words, keep the driving switch [17] pressed until the scalacombi has fully climbed a step and is automatically switched off.

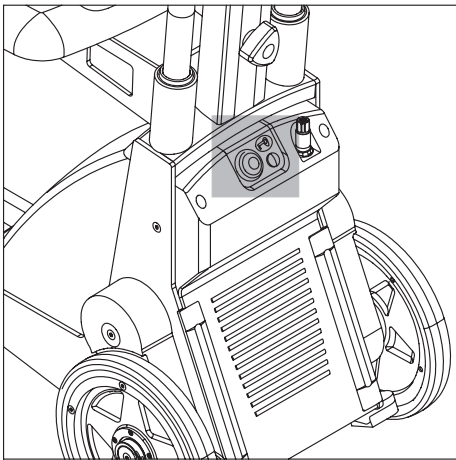
In general, interrupting the operation is only permitted in an emergency situation, for example if the person sitting on the scalacombi requires medical attention.

If you need to call for assistance, the scalacombi can be lowered onto the steps as shown in the diagram to the left.

Do not leave the person sitting on the scalacombi alone, and always remain in visual contact.

In such an emergency situation, the person sitting on the scalacombi must remain calm, as sudden movements induced by panic might dislodge the stair climber from its position. If the scalacombi is not equipped with a headrest, we strongly recommend that the head of the person on the stair climber is brought into a comfortable resting position. To do

this, you might need to place the head on a cushion made from pieces of clothing. Please note that the scalacombi is automatically shut down when it is not in use for more than 15 minutes.

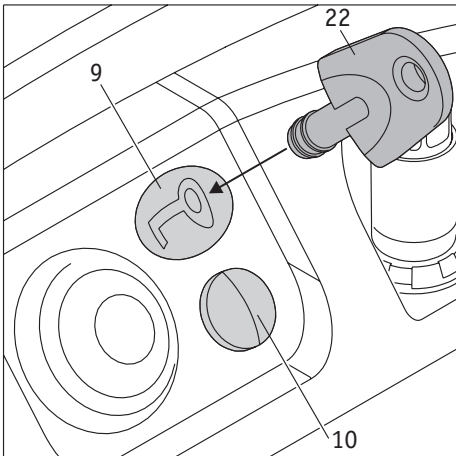


4. Anti-theft device

The scalacombi is equipped with an anti-theft device to secure it against unauthorised use or removal. It is operated with the enclosed key [22].

4.1. Activating anti-theft device

- Switch the scalacombi on (see chapter 2.4).
- Place the key [22] onto the sensor field marked with a key symbol [9]. A long audible signal is generated, the LED display [10] is switched off and the stair climber is automatically shut down.
- If the scalacombi is switched on after the anti-theft device has been activated, 4 audible signals are generated at 30-second intervals. The LED display [10] flashes in green. The stair climbing function is disabled, and the wheels are blocked.



4.2. Deactivating anti-theft device

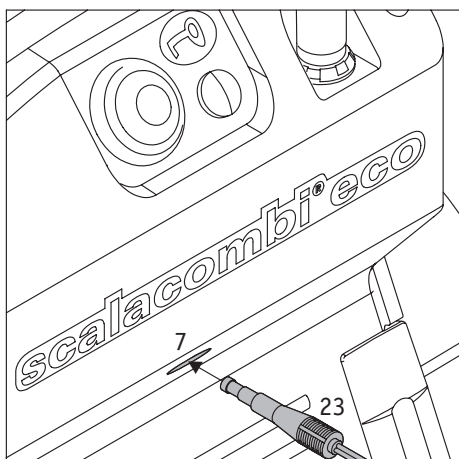
- Switch the scalacombi on (see chapter 2.4).
- Place the key [22] onto the sensor field marked with a key symbol [9]. A brief audible signal is generated.
- After the stair climber has been switched on, the LED display [10] shows the operating status of the scalacombi (see chapter 8).



The anti-theft device can only be activated and deactivated if the scalacombi is switched on.

5. Automatic shut-down

If the scalacombi is not used to climb stairs within 15 minutes after it has been switched on, it is automatically shut down to save energy. The two wheels remain in the position in which they were when the climber was shut down. When starting the scalacombi again, you might need to move them into pushing position by pressing the driving switch [17].



6. Batteries

6.1 Charging the batteries

Your scalacombi is equipped with a powerful battery pack that allows you to climb up to 200 steps without recharging. To prevent that the scalacombi runs out of power while climbing a staircase, we recommend, however, to recharge the batteries after each use of the scalacombi.

- Switch the scalacombi off (see chapter 2.5).
- Insert the plug of the charger [23] into the charger socket [7] located below the control unit.
- Then connect the mains plug [25] of the charger to a mains socket.
- Please note: Depending on the country in which you are operating the scalacombi, you might need the enclosed adapter to connect the mains plug [25] to the mains socket.
- During the charging process, the LED display of the charger [24] is lit in orange.
- After the charging process has been completed, the LED display on the charger [24] is lit in green.
- After the batteries have been charged, first disconnect the plug [23] from the charger socket [7], and then disconnect the charger [25] from the mains socket.

The scalacombi cannot be switched on while it is being charged. Switching on is only possible after the plug of the charger [23] has been pulled.



Ensure that the batteries of the scalacombi are recharged after each use of the stair climber. When the batteries are fully recharged, the charger automatically switches to charge conservation mode. Please also observe the instructions in the operating manual enclosed with the charger.

To save energy, do not leave the charger connected to the mains for more than 24 hours.

Before using the scalacombi, always check the charge status of the batteries to ensure that they are fully charged.

6.2 Information on the batteries used in the scalacombi

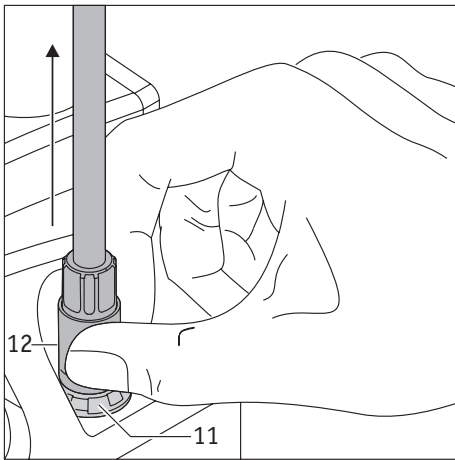
The batteries of the scalacombi require no maintenance and are rechargeable. Their service life depends heavily on the number of charging/discharging cycles. Lead batteries can for example be partially charged more than 1000 times and are able to reach their full capacity more than 200 times, provided that deep discharging is prevented. The electronics built into your scalacombi constantly monitor the charge status and thus prevents deep discharging.

- Prevent the batteries from becoming completely discharged. Recharge the batteries of the scalacombi after each partial discharge, i.e. after each use of the stair climber.
- If the batteries are stored (without charging) for a prolonged period of time, they will suffer a loss of capacity. After a few charging/discharging cycles, the batteries will, however, regain their full capacity.
- The full capacity of the batteries is only reached after about 3 to 4 charging and discharging cycles.
- If the batteries are handled incorrectly, there is a risk of liquid electrolyte spilling out. This liquid can cause injury to skin and damage to clothing.
- In the event of contact of the electrolyte with eyes or skin, immediately rinse the affected area with clean water and consult a doctor.
- Do not burn batteries and protect them against naked flames as they can explode when exposed to heat.
- Do not short-circuit the batteries. Short-circuits result in high currents, which can cause damage to the batteries and/or the scalacombi.
- When the batteries have reached the end of their service life, return them to Alber GmbH or your authorised specialist dealer for proper disposal.
- We recommend using only batteries supplied by Alber GmbH. The scalacombi is

designed in such a way that best performance is achieved when using original batteries from Alber GmbH.



The batteries of your scalacombi can be recharged in any chosen position. As regards their safety, they are classified in the same group as dry cell batteries and approved for transport by air by DOT (United States Department of Transportation) and IATA (International Air Transport Association).

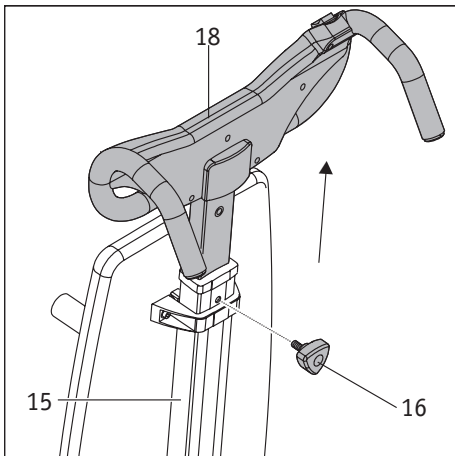
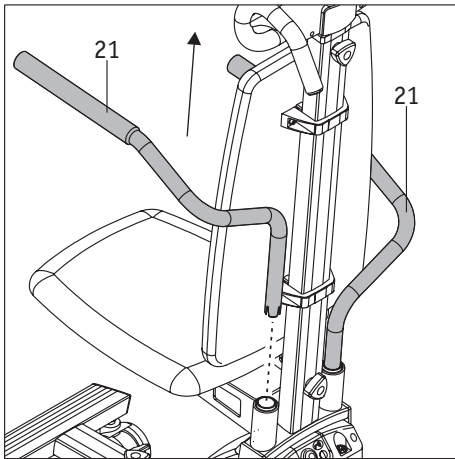


7. Transport and storage

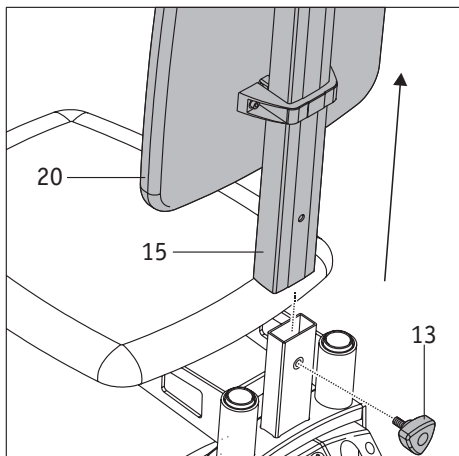
7.1 Disassembling and assembling individual components

For transport purposes, your scalacombi can be dismantled into individual components without the need for tools. It is entirely up to you to decide which components you wish to remove. This might depend for example on the available stowing space. Therefore, only dismantle the components that must be removed. The diagrams on this and the next page show how components of the scalacombi can be dismantled step by step.

- First remove the spiral cable connected to the handlebar. To do this, hold and press together the release sleeve of the adapter [12] and then pull the adapter [12] from the socket [11] on the control unit.
- Pull the two armrests [21] upwards from their receptacles.



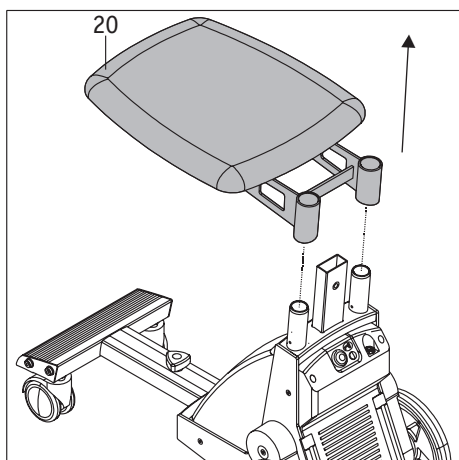
- Loosen and remove the upper adjustment knob [16] and pull then handlebar [18] from the standpipe [15].



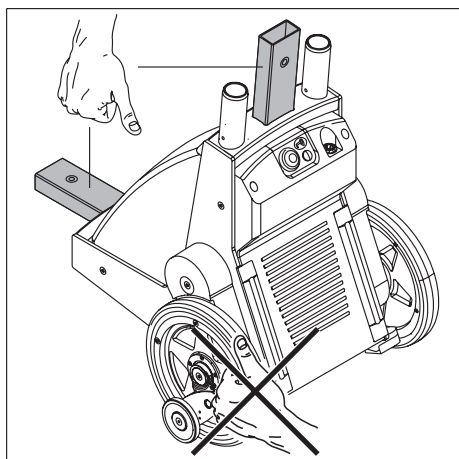
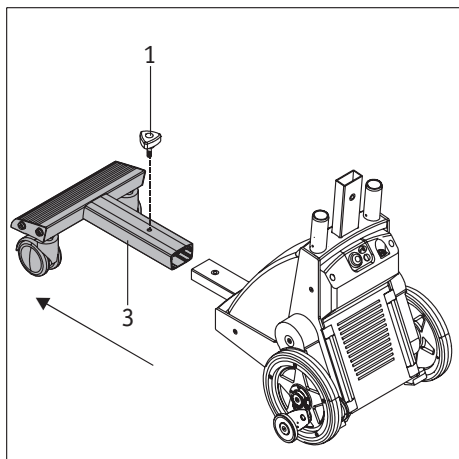
- Loosen and remove the lower adjustment knob [13] and pull the standpipe [15] together with the attached backrest [19] from the drive unit.
- Pull the seat [20] upwards and remove it.
- Loosen and remove the adjustment knob [1] and pull the foot support [3] from the drive unit.

After these simple steps, the scalacombi is dismantled for easy stowing and transportation.

To facilitate loading, the drive unit can be lifted by the protruding rectangular tube sections. To prevent hands and clothing becoming dirty, clean the tubes with a moist cloth. To assemble the scalacombi, complete the above steps in reverse order. Please note that the three adjustment knobs [1], [13] and [16] must be firmly tightened. Readjust the handlebar to the shoulder height of the operating person (see chapter 2.1).



When transporting the scalacombi never touch or reach into the wheels of the stair climber. To transport the scalacombi, hold the device as described above by the protruding rectangular tubes. To prevent inadvertent switching on of the stair climber during transport, disconnect the plug [12] from the socket [11] on the control unit.



7.2 Instructions for storage and transportation

During transport, the scalacombi or its dismantled parts must be properly secured so that they do not pose a risk to the driver or passengers in the event of a sudden brake manoeuvre. To secure the scalacombi in the car, we recommend tying the individual components with suitable straps to the vehicle. Please note that it is the responsibility of the owner to ensure that all components are properly secured and that Alber GmbH shall not be held liable for any damage caused by unsecured parts.

Please check whether there are specific regulations regarding the transport of the scalacombi or its components in your jurisdiction and strictly adhere to these regulations. Alber GmbH and its agents shall not be liable for any damage resulting from non-compliance with these instructions.

8. LED display and error messages

LED display	Acoustic signal	Description	What to do
Continuously on in green	No signal	Batteries charged to more than 60 %.	The scalacombi is ready for use without restrictions.
Continuously on in yellow	No signal	The battery is charged to between 30 % to 60 %.	The scalacombi is ready for use without restrictions.
Flashing yellow	4 short audible signals every 60 seconds	The battery is charged to between 10 % and 30 %.	The scalacombi is ready for operation but must be recharged as soon as possible.
Flashing alternately red / yellow	4 short audible signals every 60 seconds	The battery is charged to less than 10 %.	The scalacombi can only be used to climb down steps as there is insufficient power to climb upwards.
Flashing red	Continuous audible signal	The battery is empty.	The battery is empty and operation of the scalacombi is not possible. Immediately charge the battery (see chapter 6).
Flashing green	4 short audible signals every 30 seconds	The anti-theft device is activated; operation is not possible.	Deactivate the anti-theft device (see chapter 4).
Continuously on in red	Continuous audible signal	Serious device fault, scalacombi cannot be operated.	Contact your specialist dealer or an agent of Alber GmbH.
OFF	Long audible signal	The scalacombi has been switched off.	
After short audible signal: one of the above visual signals	Short audible signal followed by visual signal	The scalacombi has been switched on.	

9. First remedies in the event of a malfunction

What should I do if ...	Remedy	Contact ...
the brakes fail to engage properly during the function test?	Clean the wheels and the brake drums with spirit.	
the brakes fail to engage properly even after cleaning?	Do not operate the scalacombi under any circumstances.	your specialist dealer or an agent of Alber GmbH
the battery cannot be recharged?	This defect can only be repaired at the manufacturer's plant.	your specialist dealer or an agent of Alber GmbH
the scalacombi cannot be switched on?	If connected, disconnect the charger.	
the scalacombi cannot be switched on, although the charger has been disconnected?	This defect can only be repaired at the manufacturer's plant.	your specialist dealer or an agent of Alber GmbH
the scalacombi stops working while climbing a staircase?	Lower the scalacombi backwards to place it on the steps. The automatic safety brakes prevent it from slipping over the edge of the step.	Engage a second person to help lifting and moving the scalacombi step by step upwards or down.
the driving switch [17] or the ON/OFF button [8] are jammed?	Do not operate the scalacombi under any circumstances.	your specialist dealer or an agent of Alber GmbH



In the event of a problem or tyre damage, immediately contact your specialist dealer.

10. Safety and hazard information

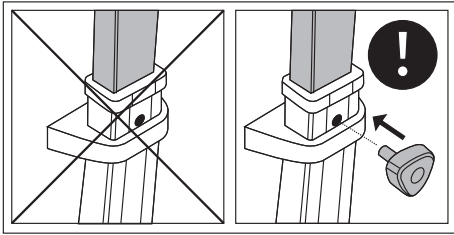
10.1. General safety and hazard information

When climbing stairs, the safety and wellbeing of the person being transported on the scalacombi always have priority. Therefore, carefully read the safety information in this chapter and strictly adhere to the instructions and recommendations given to you by the specialist dealer or agent of Alber GmbH during the initial instruction session.

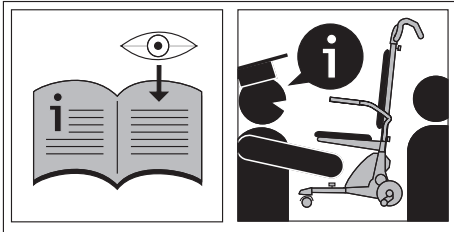
- To safely transport a person, you might need to use a lap belt or foot belt (optional accessories). It is the responsibility of the operator to check whether such equipment is necessary.
- Before and after each use of the scalacombi, you should turn the two drive wheels [5] and the brakes [4] to their pushing position (see chapter 2.2.).
- Before allowing a person to sit down or leave the scalacombi, ensure that the stair climber is switched off.
- Should the person transported on the scalacombi feel nauseous during the climb, complete the climb as fast as possible and then attend to the person.
- As the scalacombi is slightly tilted during the climb, passengers might experience some tension in the neck area. In this case, we recommend attaching the optional headrest available for the scalacombi.
- Never release the scalacombi when on a stair. Do not tilt the stair climber backwards, unless this is required in the event of an emergency.
- As a general rule, always complete a climb once commenced. Should it, however, at some time be necessary to interrupt the climb, lower the scalacombi backwards to place it on the staircase. The safety brakes prevent it from slipping over the edge of the step.
- During the climb, the person transported on the scalacombi should sit still in a relaxed position. In the event of sudden movements by the passenger (e.g. due to his or her medical condition), interrupt the climb immediately. Lower the scalacombi backwards to place it on the staircase (see chapter 3.4). Attend to the passenger to calm him/her down before continuing the climb.
- Ensure that, during the transfer and the climb, the passenger keeps his/her arms in a relaxed position on the armrests. The armrests must not be grabbed by the passenger, as there is a risk that they might be inadvertently pulled from their receptacles.
- Only accessories designed specifically for the scalacombi are permitted to be used together with the stair climber.
- When using the scalacombi indoors, never use it on wet, waxed or otherwise slippery floors or on loose carpets.
- When using the scalacombi outdoors, do not drive it over wet, slippery or ice-covered ground. Also avoid areas covered in leaves or paper.
- Special caution is required when using the scalacombi on stairs whose steps are made of metal grids! Before transporting a person over such stairs, complete a test run with the empty scalacombi. If the feet become jammed or the brakes fail to function properly, do not use the scalacombi on the stairs.
- The scalacombi must only be used on stairs with a minimum step depth of 14 cm and a maximum step height of 20 cm.
- When operating the scalacombi, wear solid footwear with anti-slip soles.
- Never release the handlebar when climbing a staircase!
- When operating or cleaning the scalacombi, never reach into the turning wheels. Also ensure that the passenger does not reach into the turning wheels.
- Regularly check the drive system and the brakes to ensure that no foreign objects (e.g. small stones) have become caught in their mechanism.
- The person operating the scalacombi as well as the passenger may not be under the influence of alcohol or other mind-altering drugs. Medication taken by the operator may not affect that person's capability to operate the stair climber.
- Never operate the scalacombi in the presence of flammable gases.
- Your scalacombi is equipped with a powerful battery pack that allows you to climb up to 200 steps without recharging. To prevent that the scalacombi runs out of power while climbing a staircase, we recommend, however, to recharge the batteries after each use of the stair climber.
- The scalacombi must only be used for climbing stairs at ambient temperatures between -25 °C and +50 °C. The use of the stair climber as a transfer system for short distances to and from a stair is permitted.
- The scalacombi may only be switched off when standing on level ground. Only in the event of a serious emergency may it be halted during climbing operation. See also safety instruction in chapter 3.4.

10.2 Safety and hazard warnings attached to the scalacombi

The labels attached to the scalacombi indicate the following:



Operate the scalacombi only, if the adjustment knob of the handlebar [16] is screwed into the standpipe [15] and the adjustment knob [13] is screwed into the drive unit [6]. These knobs must be tightened to ensure that the handlebar [18] is firmly attached to the drive of the scalacombi.



Before operating the stair climber on your own, carefully read all instructions in this manual.

The scalacombi must only be operated by persons who have participated in the instruction session provided by the specialist dealer or an agent of Alber GmbH. During the instruction session provided by your specialist dealer or an agent of Alber GmbH, ensure that you are properly informed of all the functions of the scalacombi and its operation as a stair climber. In addition, test the device by climbing a staircase without a passenger to familiarise yourself with its operating behaviour.



Do not use armrests to lift the device, especially if the person to be conveyed is sitting in the scalacombi. To ensure user-friendliness, the armrests are rotatable and detachable (e.g. for transfer to the seat of the scalacombi) and might be inadvertently pulled off, depending on direction of force.

11. Care and cleaning instructions, safety inspections (maintenance), reuse and disposal

Before carrying out any cleaning or maintenance work, disconnect the spiral cable of the handlebar from the drive unit. To do this, hold the release sleeve of the adapter [12] and pull the adapter from the socket [11] on the control unit (see also chapter 7.1).

11.1 Care and cleaning instructions

The drive wheels [5] and the internal gear system of the brakes [4] of your scalacombi must be regularly cleaned with spirit to ensure optimum brake effect. If the scalacombi is used on a daily basis, you should clean these parts once every week. If the stair climber is used less frequently, monthly cleaning might be sufficient. During the safety inspection, which must be carried out at least every 2 years, the drive wheels and the brakes are tested and worn parts are replaced, if necessary. All other components can be cleaned with a mild conventional household detergent.

Clean the scalacombi only with a moist cloth.

Ensure that liquid or moisture do not penetrate the stair climber.

11.2 Safety inspections (maintenance)

Your scalacombi is a low-maintenance device. Nevertheless, you should check all attachment and accessory parts at regular intervals to ensure that they are firmly seated and secured. Latest every 2 years, you must have your scalacombi examined by an expert (technical safety inspection) to check its performance and safety. During these inspections, defects, wear and fatigue damage that is not otherwise visible might be detected. To arrange a safety inspection, contact your authorized dealer.

With the exception of the batteries, the two tyres and the brakes, most parts of the drive are not subject to significant wear. To properly transfer the drive and brake force of the scalacombi, the wheels must have an adequate tread pattern (no cracks) and the brakes must be operated with sufficient brake force.



All maintenance and repair work on the scalacombi must be carried out by Alber GmbH or one of its authorised specialist dealers. If you encounter any problems with your scalacombi, contact your specialist dealer.

11.3 Reuse

If your scalacombi has been provided to you by your health insurance company and you do not need it any longer, please contact your health insurer or specialist dealer, as your stair climber can be given to somebody else.

- Alber GmbH recommends carrying out a safety inspection before the stair climber is handed over to another party. Latest every 2 years, you must have your scalacombi examined by an expert (technical safety inspection) to check its performance and safety.
- Examine the stair climber for signs of corrosion.
- Prior to reuse in addition to the cleaning instructions in chapter 11.1, disinfect all accessible plastic parts and handles, the two wheels and all accessories of the wheel climber. To do this, use a detergent suitable for wet disinfection and adhere to the use instructions of the manufacturer.

11.4 Disposal



The stair climber, its battery pack and accessories are durable products.

They might contain substances that are hazardous to the environment, if the parts are disposed of in locations (e.g. landfills) that are not destined for the disposal of such material according to the applicable statutory regulations.

The product is labelled in accordance with European Directive 2002/96/EC (WEEE Directive) with a cross-out rubbish bin symbol, reminding you that it must be recycled.

Please take care of the environment and return the product at the end of its service life to your regional recycling centre.

As this product is not covered by the regulations of the WEEE Directive in all European countries, please inform yourself of the applicable waste disposal regulations in your jurisdiction. In Germany, the product is for example classified as a transport vehicle and is thus not covered by the Electrical and Electronic Equipment Act implementing the WEEE Directive.

Alternatively, return the product to your specialist dealer or agent of Alber GmbH for proper and safe disposal.

11.5 Storage

If your scalacombi will be stored for an extended period (e.g. several months), please observe the following:

- Protect the scalacombi components with film in order to keep moisture out.
- Store all scalacombi components in a dry room. Ensure that no moisture penetrates into or drips onto the wheelchair or e-fix components.
- Ensure that the scalacombi is not continuously exposed to solar radiation (e.g. through windows).
- Ensure that unauthorised persons - especially children - do not have unsupervised access to this room.
- The scalacombi components must be cleaned prior to recommissioning.
- Check whether a safety inspection is required before recommissioning and arrange for said inspection if necessary.

12. Product safety information

All components of your scalacombi have undergone functional tests and extensive inspections. However, in the event of an unforeseeable impairment in the operation of the scalacombi, the following web pages would be available to customers with prompt and appropriate safety information:

- Home page of Alber (manufacturer of the e-fix)
- Home page of the German Federal Institute for Drugs and Medical Devices [BfArM]

If any corrective measures should be necessary, Alber shall notify the specialist dealer, who will then contact you.

13. Service life

We expect that the estimated service life of this product is five years on average provided that the product is used as intended and maintained and serviced in accordance with all instructions specified in the operating manual. This service life can be extended by handling, servicing, maintaining and using the product with care and if there are no technical limitations that arise from further developments in science and technology. However, the service life may also be reduced significantly by excessive or improper use. The service life required by the applicable standards shall not be deemed an additional guarantee.

14 Warranty and liability

14.1 Warranty for defects

Alber GmbH guarantees that the scalacombi is free of any defects at the time of delivery. The warranty expires 24 months after the date of delivery of the scalacombi.

14.2 Guarantee of durability

The guarantee of durability of the scalacombi expires 24 months after the date of transfer of the stair climber to the purchaser. The guarantee period for batteries is 12 months from the above date. Not included in the guarantee of durability:

- Parts subject to wear
- Maintenance work required by daily use
- Defects caused by normal wear, incorrect handling including non-compliance with the instructions in this operating manual, accidents, reckless damage, damage caused by fire, water, force majeure and other events that are outside the control of Alber GmbH
- Device inspection without detection of a fault or defect
- Devices whose serial number have been tampered with or removed

The General Business Terms and Conditions of Alber GmbH apply.

14.3 Liability

Alber GmbH as the manufacturer of the scalacombi shall not be liable for its safety, if

- the scalacombi is handled or operated incorrectly
 - the scalacombi has not been serviced at the prescribed 2-year intervals by an authorised specialist dealer or Alber GmbH
 - the scalacombi has been commissioned in contravention to the instructions in this operating manual
 - the scalacombi has been operated with insufficient battery charge
 - the scalacombi has been repaired or otherwise modified by a person not authorised to carry out such work
 - third-party parts have been attached to the scalacombi
- parts of the scalacombi have been removed

15. Technical data

Classification in accordance with ISO 7176-28	Typ C
Floor clearance of drive unit:	46 cm
Width of drive unit:	36 cm
Overall height with attached handlebar:	136 cm
Overall width:	54 cm
Weight without handlebar:	26 kg
Weight with handlebar:	31 kg
Max. weight of person:	120 kg
Motor voltage:	24 V
Climbing speed:	approx. 12 steps/minute
Range per battery charge (*):	200 steps (with person weighing 75 kg)
Force required to tilt:	approx. 225 N (at maximum load)
Force required to push or turn on level ground:	approx. 68 N (at maximum load)

Battery pack (integrated in drive unit)

Battery type:	Lead gel
Battery capacity:	3.4 Ah

Battery charger

Model / type:	BC 2410LA
Input voltage:	100... 240V~, 50... 60Hz
Rated output voltage:	24 V
Charging current:	1.0 A
Charging method:	IU0U
Use:	Designed exclusively for the recharging of the above battery pack

- All electrical components of the scalacombi are protected against spray water and humidity.
- Valid norms and test dummies with a weight of 120 kg were used to determine the individual information listed above. When operating the scalacombi, however, individual values may differ from the information listed.
- (*) This value indicates the upper technical limit and depends on the wheelchair model. This value might also be affected by the suitability of the attendant.
- (**) The range and climbing speed vary, depending on the prevailing travel conditions and the weight of the passenger. The specified range is valid for optimum travel conditions (fully recharged batteries, ambient temperature around 20°C, smooth travel, etc.).

Battery charger

For technical information and other information on charging, please refer to the separate operating manual of the battery charger.



The scalacombi conforms to the requirements laid down in the European Medical Device Directive 93/42/EEC and complies with all applicable requirements of the norms ISO 7176-28 and ISO 7176-8.
We reserve the right to modify the design and technology of our products to incorporate the latest developments.

We reserve the right to modify the design and technology of our products to incorporate the latest developments.

16. Labels


There are labels on the scalacombi components which include various product details. In the event of a system defect, individual components can be replaced by your specialist dealer as part of the Alber exchange parts pool. Your specialist dealer will need some of the information given on the labels.

Systemnr. / System No. Produkt [Product] Modell [Model] Max. Pers. Gewicht [Max. Occ. Weight] Betriebsspannung [Operating Voltage] Max. Geschwindigkeit [Max. Speed] Motor Nennleistung [Rated Power] Sicherheitshinweise beachten!	S34160040 scalacombi eco S34 120 kg 24 V 12 Stufen [Steps]/min 200 W Follow safety hints!	  
     	Alber GmbH Vor dem Weissen Stein 21 D-72461 Albstadt Made in Germany	(01)04046727138240 (11)160427 (21)S34160040

System label

The system label provides information on the key technical data of the scalacombi and makes it possible, if necessary, to trace the system. If a device is exchanged as part of the Alber exchange parts pool, your specialist dealer will need the system number stated on the system label.

The system label is located at the left side of the drive unit.

Sicherheitstechnische Kontrolle			
durch:			
Alber GmbH 72461 Albstadt			
01	nächste	07	
02	Kontrolle	08	
03		09	
04		10	
05		11	
06		12	
2015	2016	2017	2018

“Safety inspection” label



The label should remind you when your next safety inspection is due. It is located at the left side of the drive unit.

1520387	410102010
	
1010151539	
	
4046727145002	

Component labels

These identify various scalacombi assemblies and are located on the handlebar, at the seat, on the left side of the drive unit and on the underside of the charger

Your specialist dealer needs the component number (number in the middle of the label, shown by an arrow in the adjacent diagram) when replacing the assembly within the Alber exchange parts pool.

 Alber GmbH www.alber.de	BATTERY CHARGER Gerätetyp/ type reference/ モデル: BC2410LA Ausgangsnennspg./ rated output voltage/ 出力電圧: 24V=± Ausgangsnennstrom/ rated output current/ 出力電流: 1A Eingangsnennspg./ rated input voltage/ 入力電圧: 100 - 240V - 50-60Hz Aufnahmestrom/ input current/ 入力電流: 0,7 - 0,3A Schutzart/ degree of protection/ 保護等級: IP 31 OEM Hersteller/ manufacturer/ 製造元: InpOTRON OEM Artikelnummer/ part no./ 部品番: PSU-0631-03
<small>ACHTUNG! Vor der Benutzung ist die Gebrauchsanweisung zu lesen. Nur zur Verwendung in trockenen Räumen. Von Netz trennen, bevor Verbindungen zum Akkumulator geschlossen oder geöffnet werden. Explosive Gase, Flammen und Funken vermeiden. Für ausreichende Belüftung sorgen. Ausschließlich zu Ladung von Blei-Gel-Akkumulatoren. Bei der Verwendung anderer Akkumulatoren besteht Explosionsgefahr. CAUTION! Read user manual before use. Must not be used outside for use in dry rooms only. Disconnect the supply before making or breaking the connection to the battery. WARNING: Explosive gases. Prevent flames and sparks. Provide adequate ventilation. Use only LEAD GEL type rechargeable batteries, other types may explode. ATTENTION! Lire le mode d'emploi avant d'utiliser l'appareil. Utiliser uniquement à l'intérieur dans un endroit sec. Veuillez débrancher l'alimentation avant de connecter ou déconnecter les batteries. AVERTISSEMENT: Gas explosif, sans être des flammes ou étincelles. Fournir une ventilation adéquate. Utiliser uniquement des piles rechargeables sèches au plomb, les autres types de piles risquent d'exploser. 警告! 使用する前に熟読し説明書をお読みください。 乾燥した場所で使用するにしてください。 電源からの接続や切断作業を行う前に電源を切ってください。 火気、炎や火花を避けてください。 十分な換気を確保してください。 鉛酸または鉛酸ゲルタイプの充電電池にのみ使用してください。 他の種類の充電電池を使用すると、爆発の原因となります。</small>	

“Technical data” label on the battery charger

The label shown in the adjacent diagram is found on the underside of the battery charger and provides information on its technical data.

17. Signs and symbols

Important tips and information are identified in this operating manual as follows:



Indicates tips and special information.



Warning against possible hazards to your safety and health, and indication of possible injury risks. Warning against possible technical problems or damage.

Observe these indications and warnings at all times to avoid injury to people and damage to the product.

The symbols used on the labels (see chapter 14) and in some parts of this operating manual are explained in the following.



The scalacombi conforms to the requirements laid down in the European Medical Device Directive 93/42/EEC and complies with all applicable requirements of the norm ISO 7176-28 and ISO 7176-8.

The battery charger conforms to European guidelines.



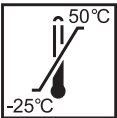
Disposal instructions, see chapter 11.4



Protect the device from moisture.



Only use the device inside your home, not outdoors.



Indicates the temperature range in which the device can be used.



Protective insulation / appliance class 2



Complies with US and Canadian guidelines



Complies with the Japanese safety standard for electronic devices



Important, observe accompanying documents.



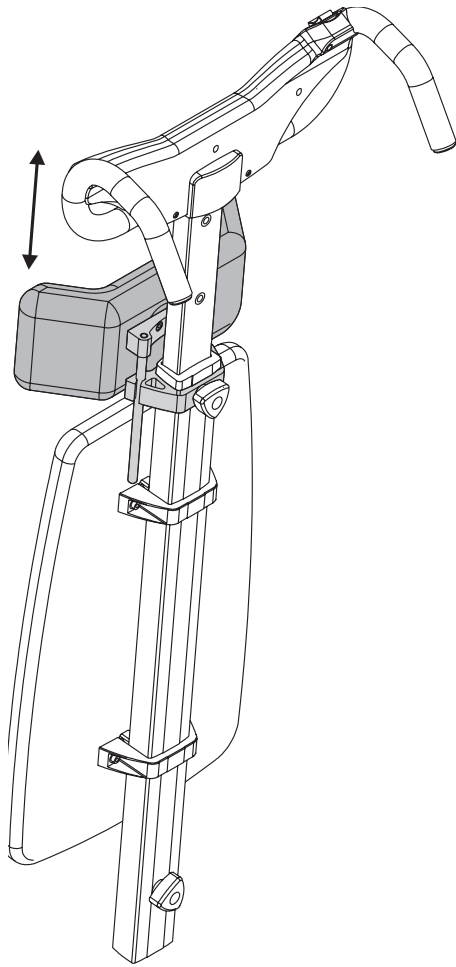
Maximum weight of person that the scalacombi can accept as its load capacity (120 kg).



Specifies the date of manufacture



Name and address of the device manufacturer



Optional accessories

Headrest

To protect the passenger's hand and neck during stair climbing, we recommend a headrest, which is available as an optional accessory. Its height can be adjusted by sliding the guide up or down. The guide is automatically locked in position. The headrest is available from the authorised specialist dealer, who will also fit it.

Ihre Alber-Vertretung / Your Alber representative / Votre représentation Alber /
Vostra rappresentanza Alber / Su representación Alber / Din Alber representant /
Din Alber-agenturene / Uw distributeur Alber / Deres Alber-repræsentation



Alber GmbH

Vor dem Weißen Stein 21
72461 Albstadt-Tailfingen

Telefon +49 (0)7432 2006-0

Telefax +49 (0)7432 2006-299

info@alber.de

www.alber.de